

GALAXY COFFEE TABLE

DESIGN MASSIMO CASTAGNA

STRUCTURE

Ø 4 cm Brass tube in Burnished Brass or Burnished Steel by hand using traditional techniques.

Undermounted wood in black matt lacquered, 2 cm thick.

TOP A

Burnished Steel or Brass by hand using traditional techniques

Burnished Steel or Brass by hand using traditional techniques, with circular pattern engraved.

TOP B - C

Heat treated woods or swamp woods as per our samples, oil finish based on natural wax and water, Burnished Steel, Burnished Brass, Burnished Black Brass by hand using traditional techniques.

TECHNICAL DATA

Cm 130x100x35,7h

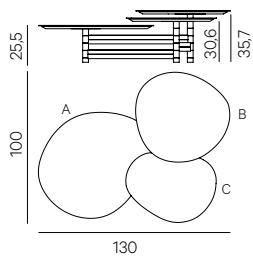
Cm 160x150x39h

CARE AND MAINTENANCE OF METALS

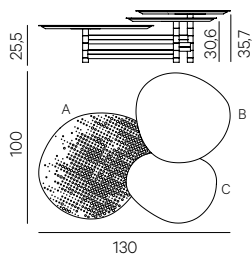
Avoid leaving household liquids (oil, red wine, vinegar, etc.) on the surface. In particular, products that contain citric acid (present for example in fruit, citrus fruit and tomatoes) act on contact with the treated surface, removing its original sheen. Always clean stains while they are still fresh. For routine maintenance use a microfiber cloth and water. Do not use products containing acids, limescale removing substances or alcohol.

TECHNICAL DRAWINGS

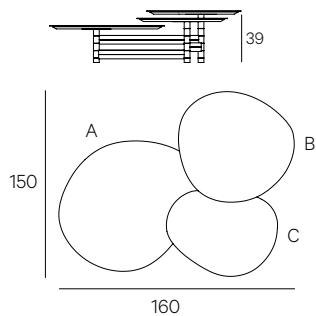
Galaxy Coffee Table



Galaxy Coffee Table



Galaxy Maxi Coffee Table



Galaxy Maxi Coffee Table

