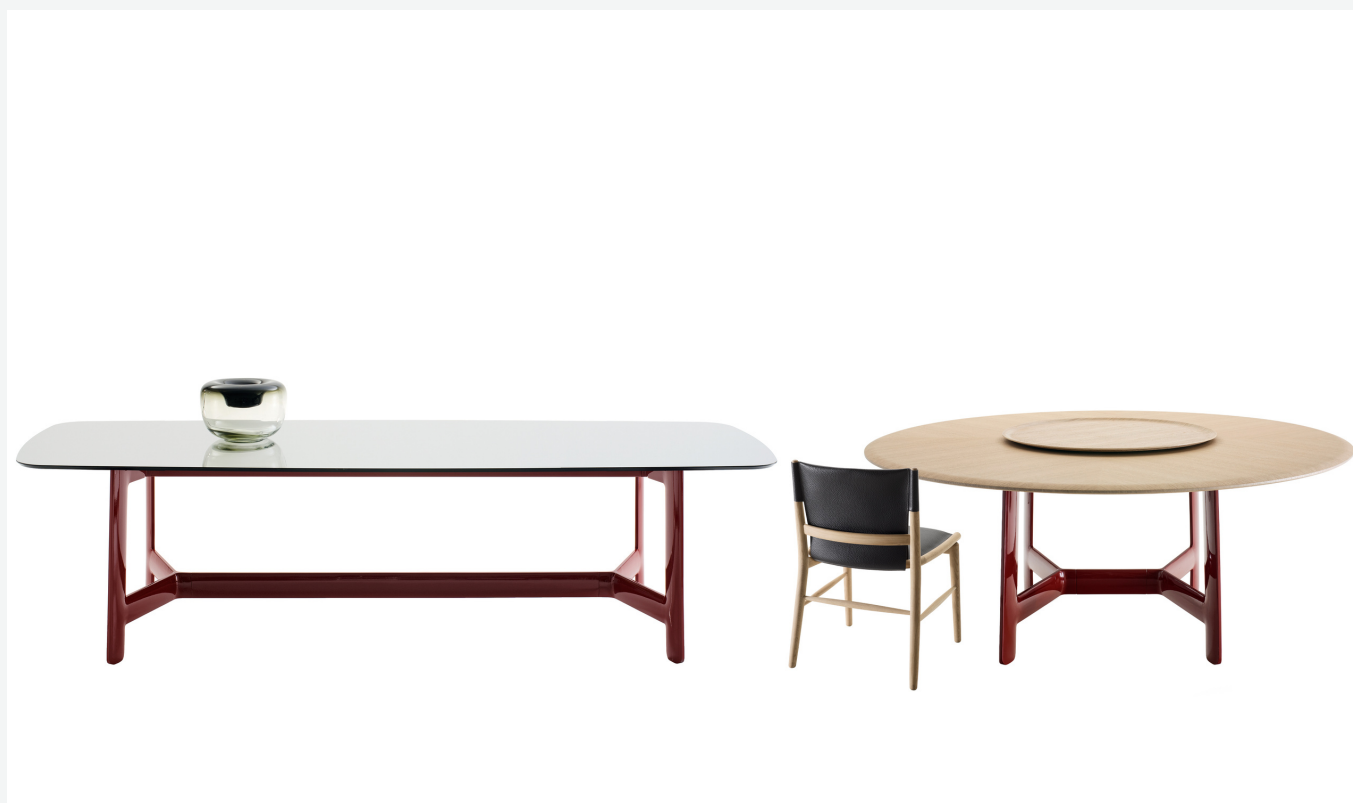


Alex

TABLES

2017

Antonio Citterio



Description

Alex is a series of tables in various sizes, distinguished by the pronounced design of the sectional frames in large, lenticular shapes. Three shapes and different sizes: rectangular in three lengths, round and square. The "sawhorse" frame connected with the crosspiece is made of hard polyurethane with metallic drawn inserts in glossy or satin colours of the B&B Italia collection. There is a wide range of finishes of the tops, from wood to satin or glossy finishes, from marble finish to mirror glass. The round version allows the possibility of positioning at the centre of the table a round swivel tray.

Technical information

Top

veneered MDF wood fibre panel, laminated glass and mirror with a safety film and glued stainless steel panels, marble (glossy polyester finish or matt polyester finish)

Frame

high density printed structural techno-polymer

Strengthening frame and upper crosspiece

steel

Lower crosspiece

aluminium extrusion

Swivel tray (TAL80V)

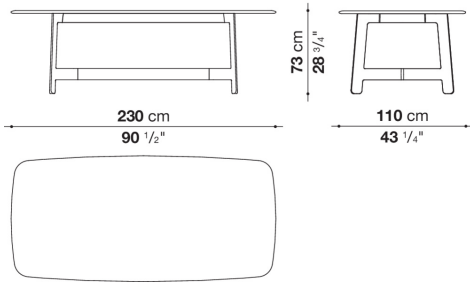
veneered multi-layered wood, marble (glossy polyester finish or matt polyester finish)

Ferrules

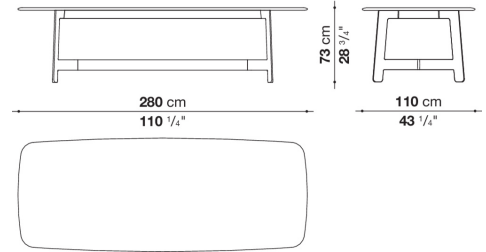
felt

Technical drawings

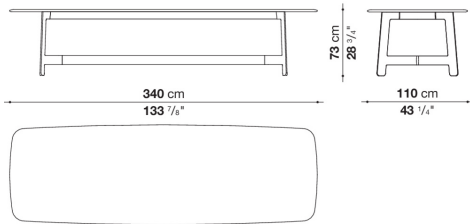
TAL230



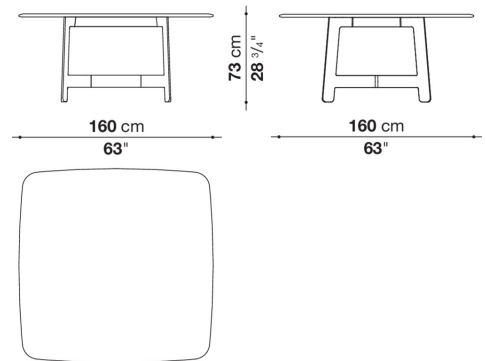
TAL280



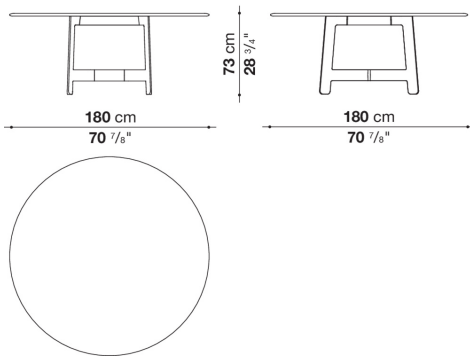
TAL340



TAL160Q



TAL180R



TAL180G

