

B&B Atoll

SOFAS

2018

Antonio Citterio



Description

Named after the coral formation, the modular sofa system B&B Atoll is a refined expression of a balanced aesthetic form and a decisive contemporary style that is also extremely elegant. The system is built on three basic platforms that are complemented by armrest and backrest elements to form various types of seats: sofas, dormeuses, corner-end modules, single or modular elements with chaise longue and ottomans. The frames have light, slender lines and are applied on high die-cast supports with metal profile emphasising the line between the structure and upholstery. The pieces are given even more character by a supporting element to be placed wherever desired, a bolster in two sizes attached by leather straps to a die-cast structure. This accessory can be inserted between the seat cushion and the base structure to provide an additional support or become an armrest or backrest at will. B&B Atoll is a dynamic project with a constantly fresh ability to adapt to different compositions and create different seating types, from informal relax versions to most formal, also made possible by the use of complementary back cushions.

Technical information

Internal frame

tubular steel and steel profiles

Internal frame upholstery

Bayfit® flexible cold shaped polyurethane foam, polyester fibre cover

Seat cushion

shaped polyurethane of different density, sterilized down, polyester fibre cover

Back cushion

shaped polyurethane, sterilized down

Lumbar cushion (AT45_40)

down feather, box style typology

Roller

shaped polyurethane, polyester fibre cover

Roller support

die-cast aluminium

Roller webbing

fabric or leather

Support frame

die-cast aluminium

Ferrules

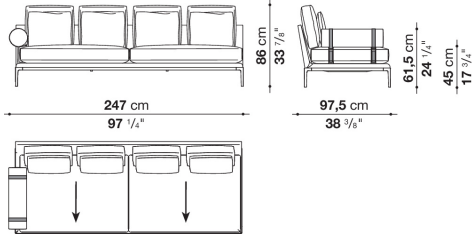
plastic material

Cover

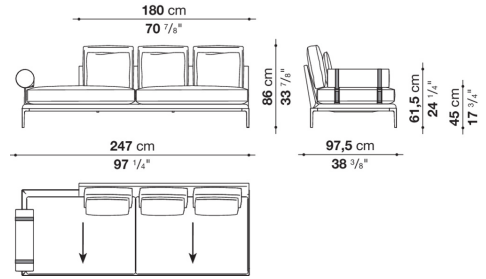
fabric or leather

Technical drawings

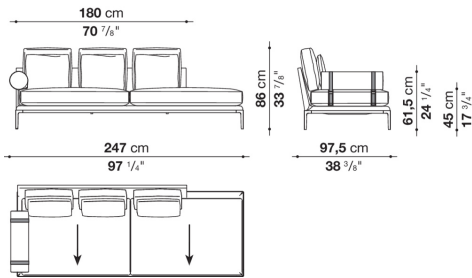
ATR247S_3



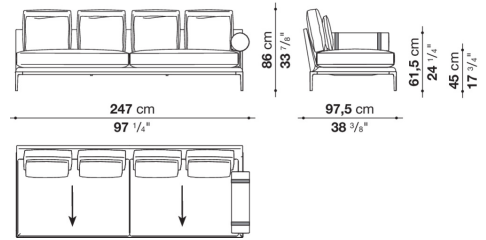
ATR247S_2



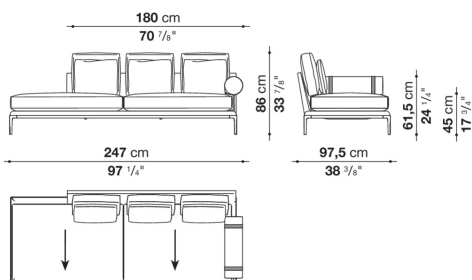
ATR247S_1



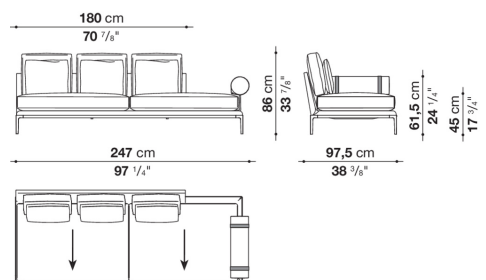
ATR247D_3



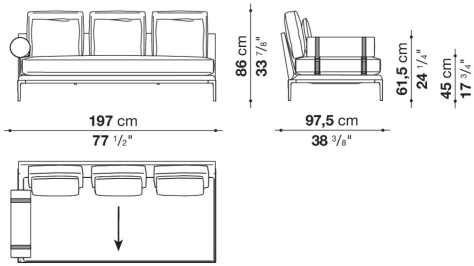
ATR247D_2



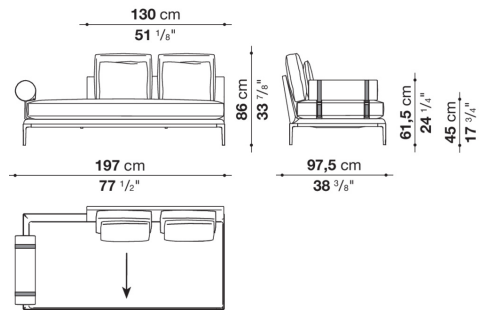
ATR247D_1



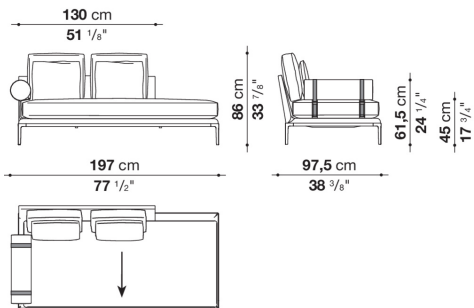
ATR197S_3



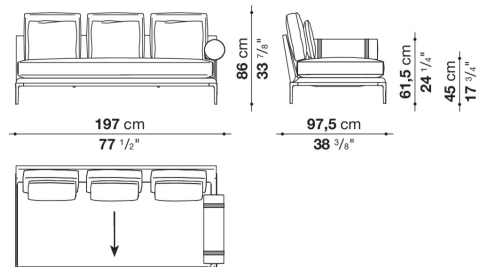
ATR197S_2



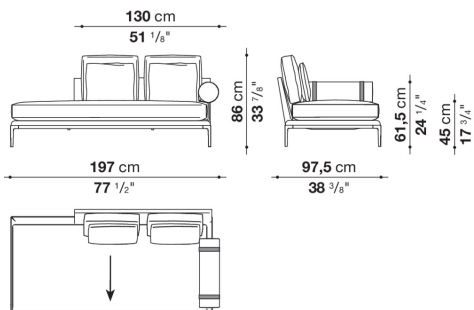
ATR197S_1



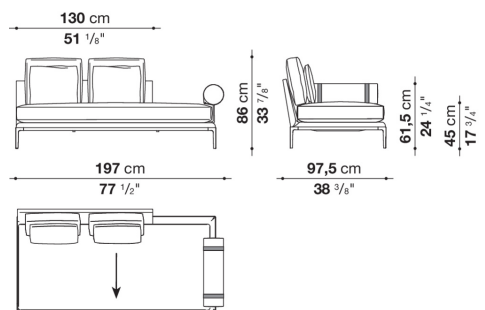
ATR197D_3



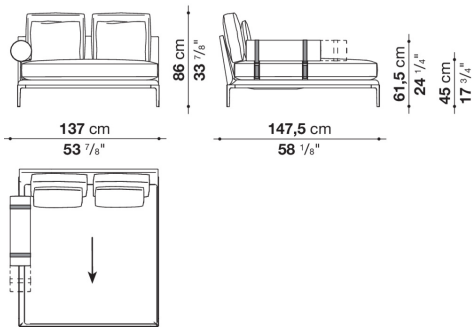
ATR197D_2



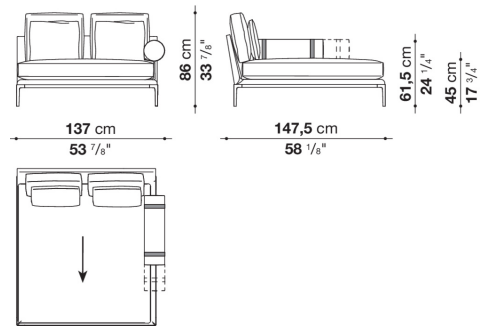
ATR197D_1



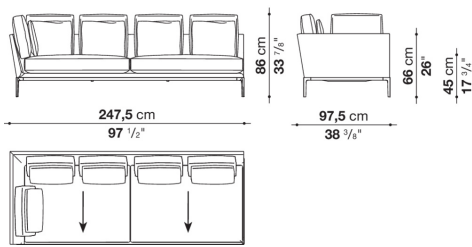
ATR137LS



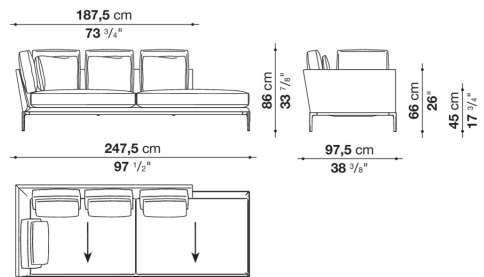
ATR137LD



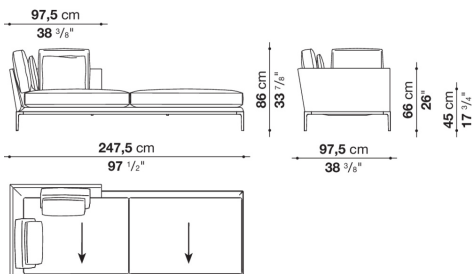
AT248TAS_3



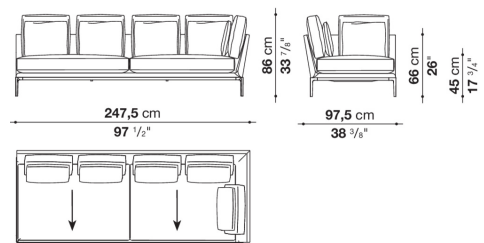
AT248TAS_2



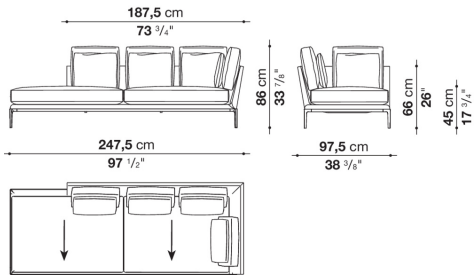
AT248TAS_1



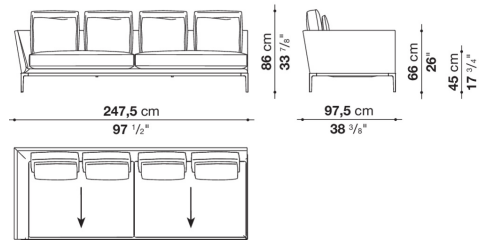
AT248TAD_3



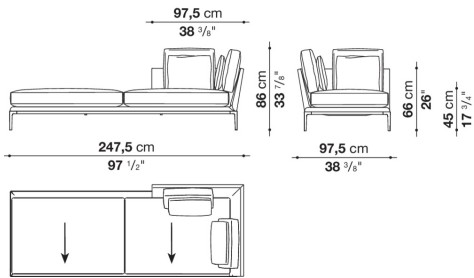
AT248TAD_2



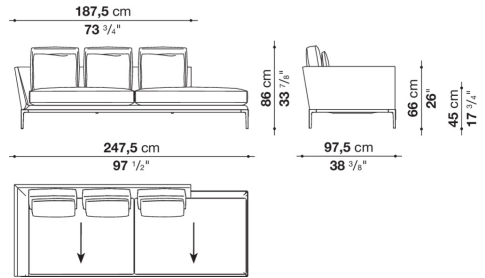
AT248S_3



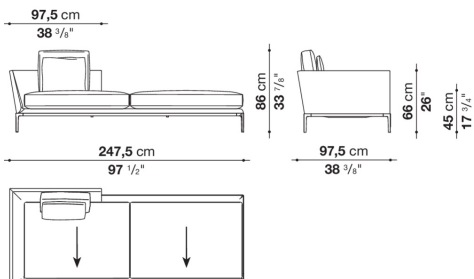
AT248TAD_1



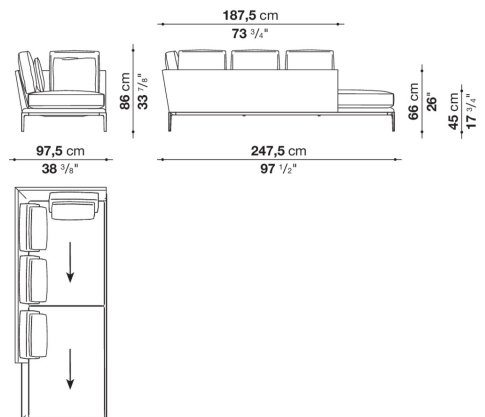
AT248S_2



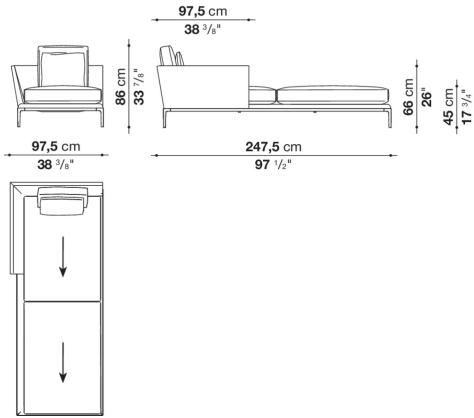
AT248S_1



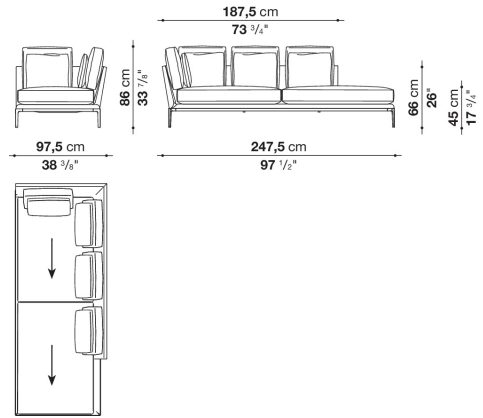
AT248LS_2



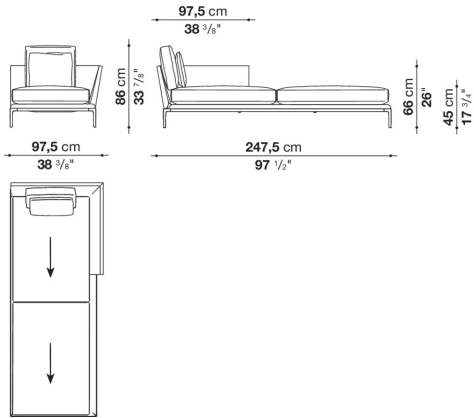
AT248LS_1



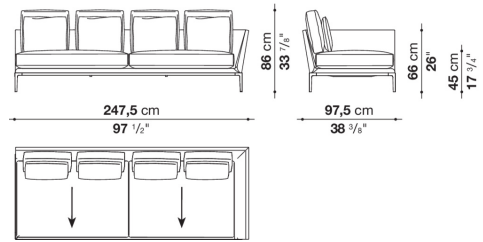
AT248LD_2



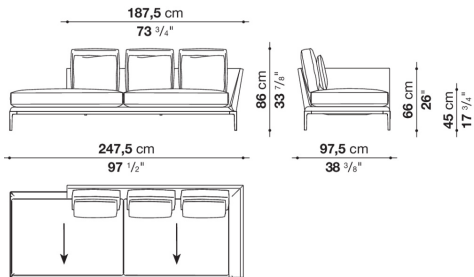
AT248LD_1



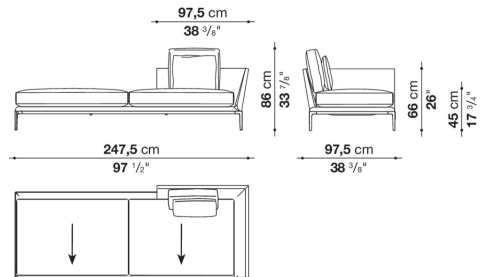
AT248D_3



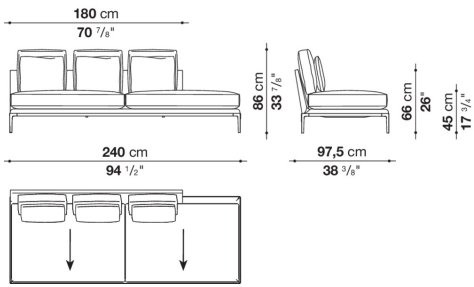
AT248D_2



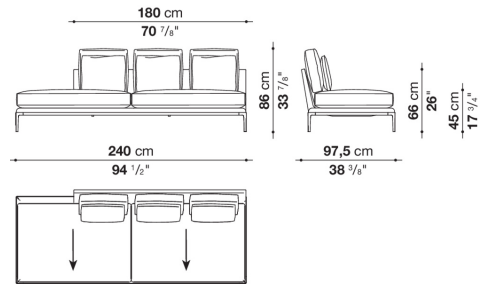
AT248D_1



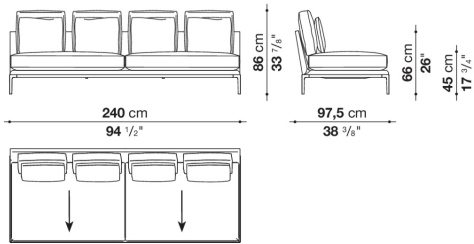
AT240PS



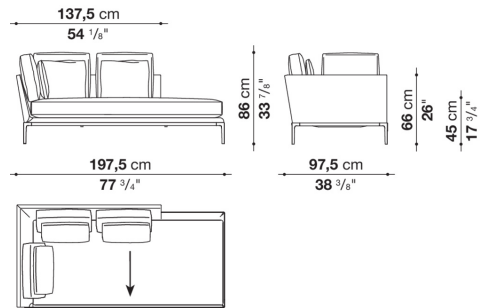
AT240PD



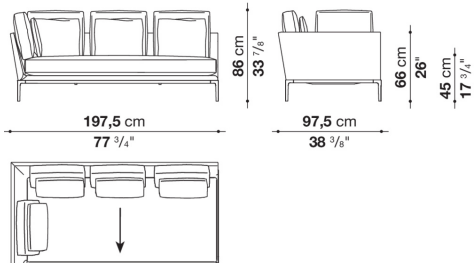
AT240C



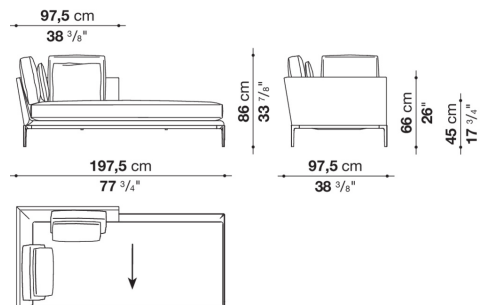
AT198TAS_2



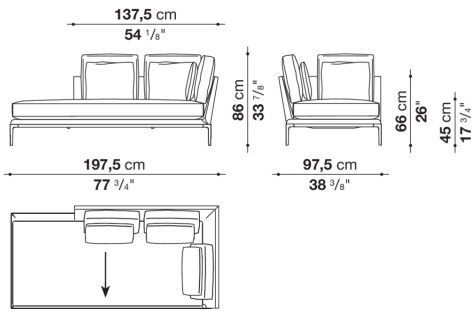
AT198TAS_3



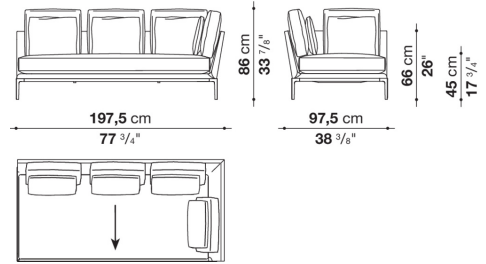
AT198TAS_1



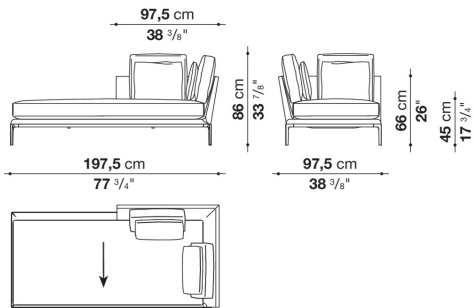
AT198TAD_2



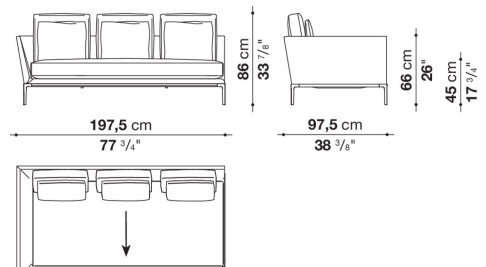
AT198TAD_3



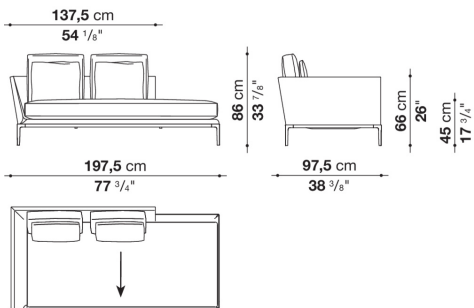
AT198TAD_1



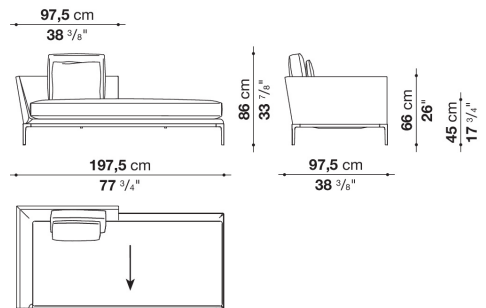
AT198S_3



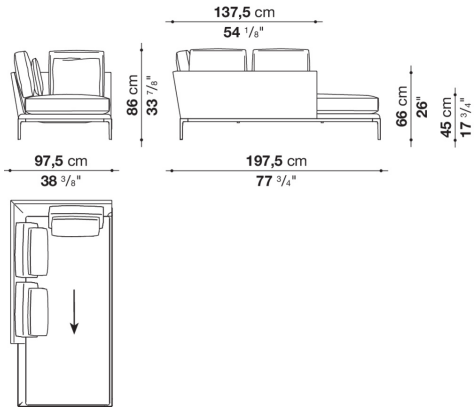
AT198S_2



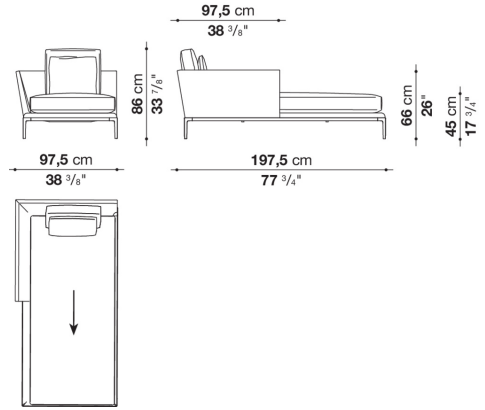
AT198S_1



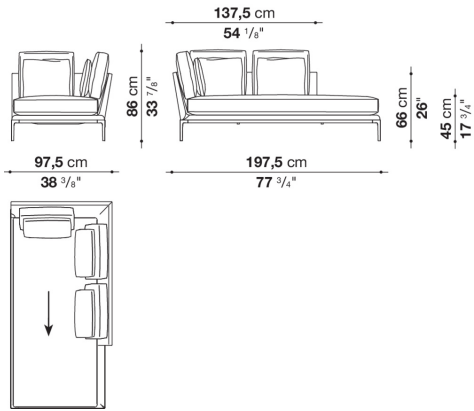
AT198LS_2



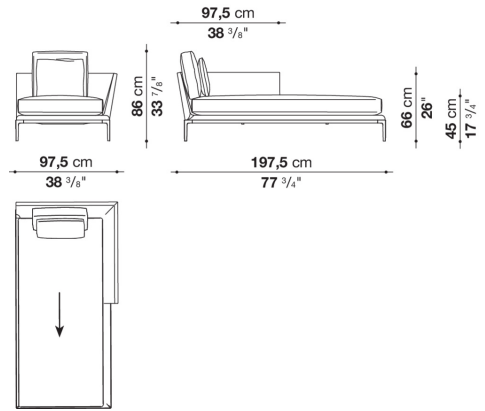
AT198LS_1



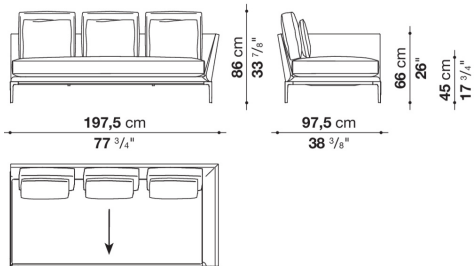
AT198LD_2



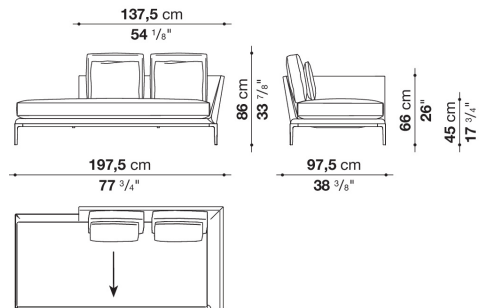
AT198LD_1



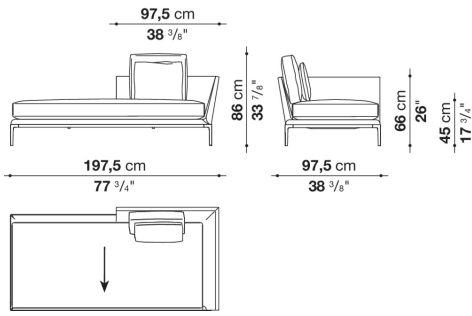
AT198D_3



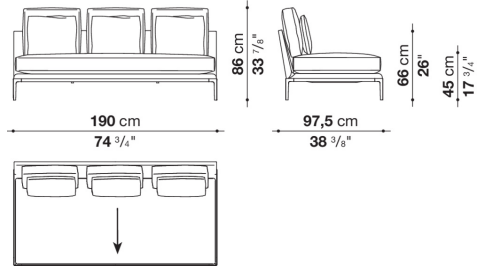
AT198D_2



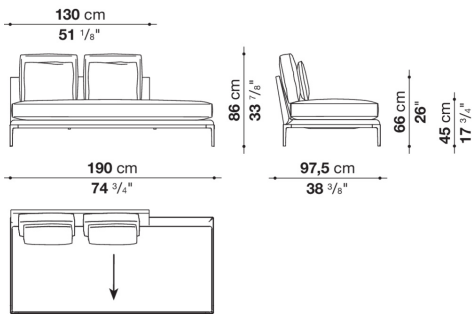
AT198D_1



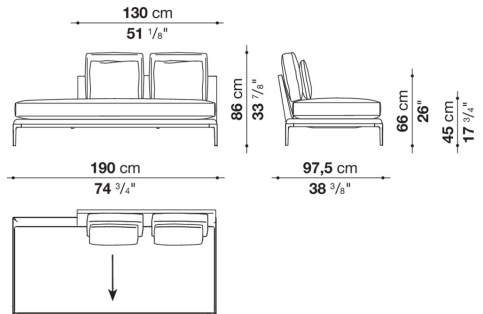
AT190C



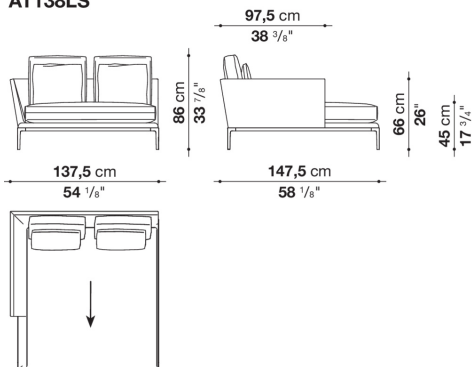
AT190PS



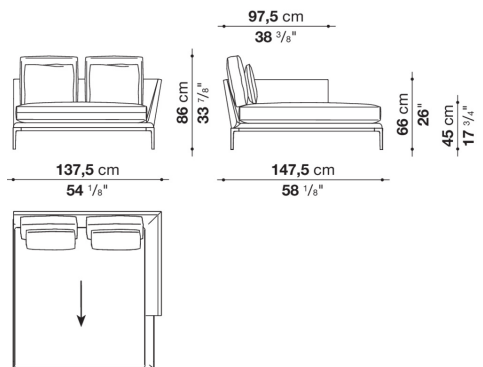
AT190PD



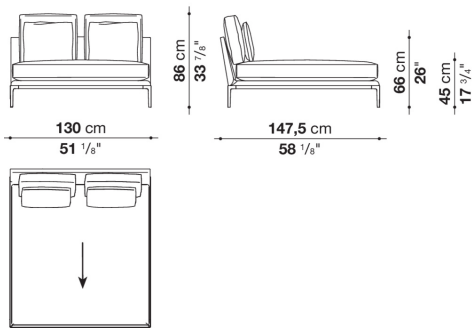
AT138LS



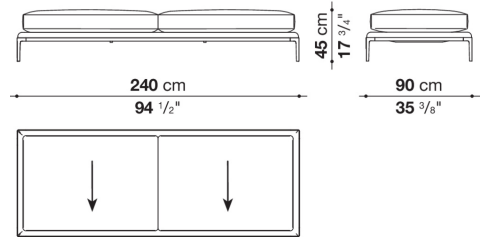
AT138LD



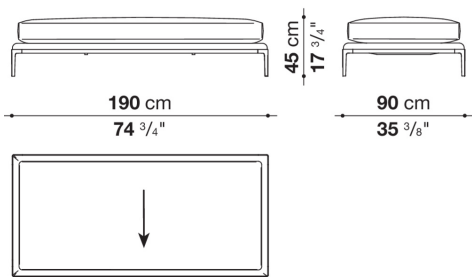
AT130L



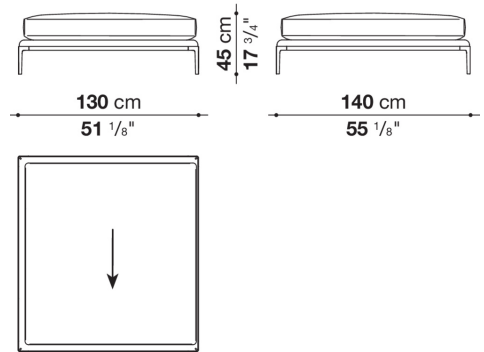
ATR240P



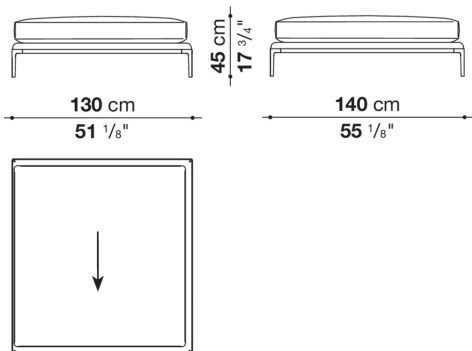
ATR190P



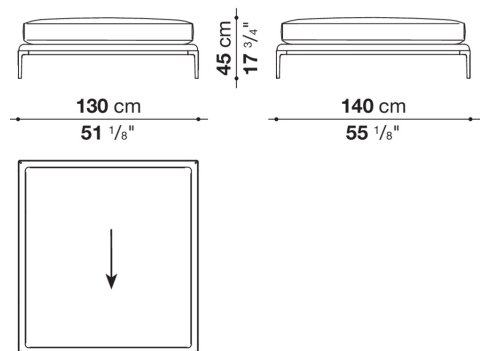
ATR130PS



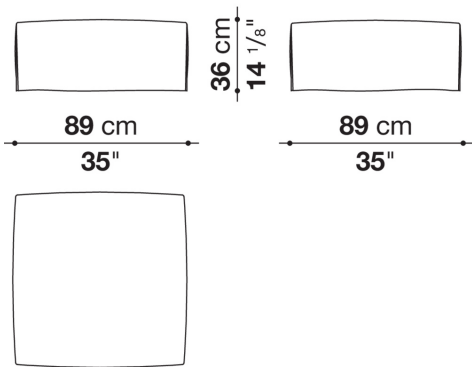
ATR130PD



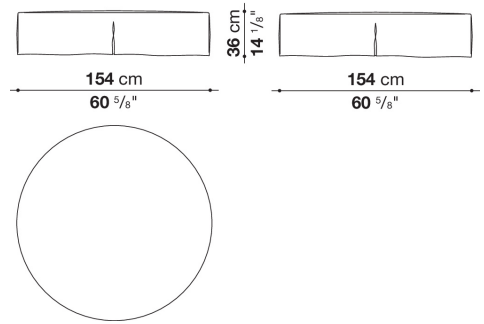
ATR130P



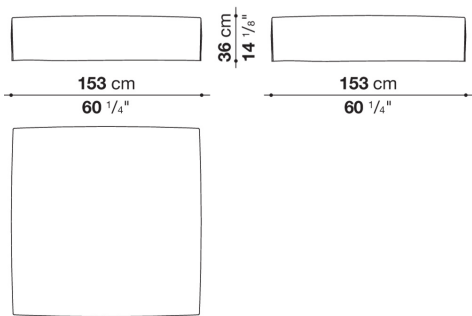
AT89PQF



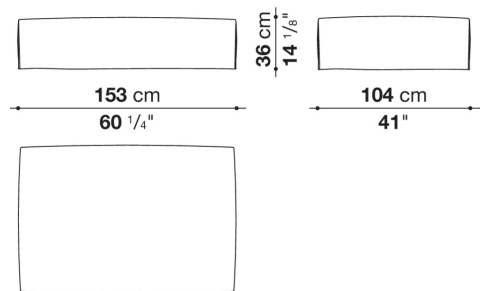
AT154DPF



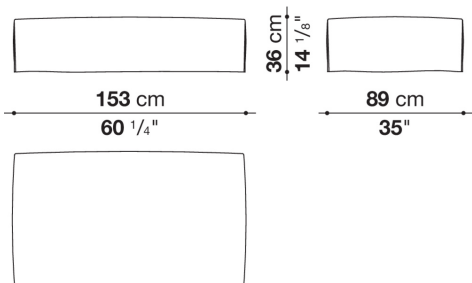
AT153PQF



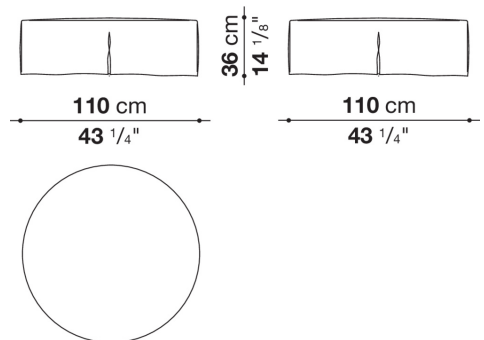
AT153PF_2



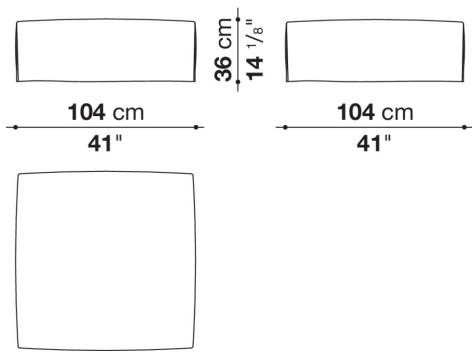
AT153PF_1



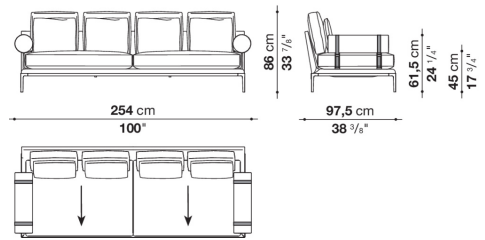
AT110DPF



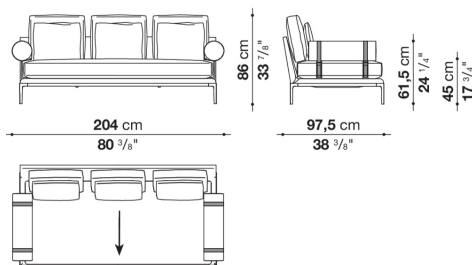
AT104PQF



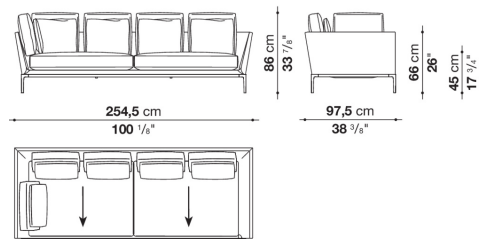
ATR254



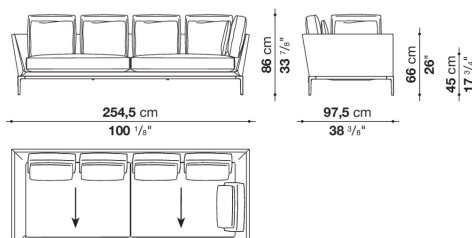
ATR204



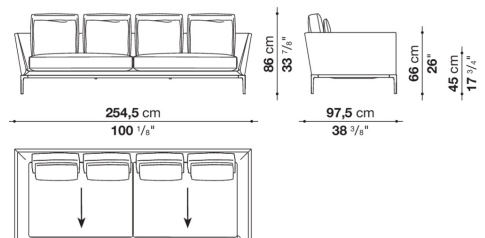
AT255AS



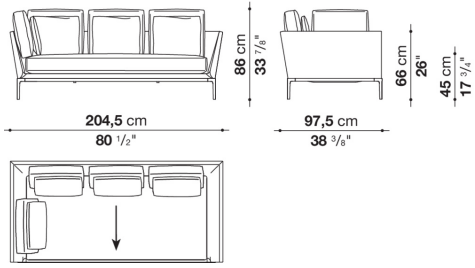
AT255AD



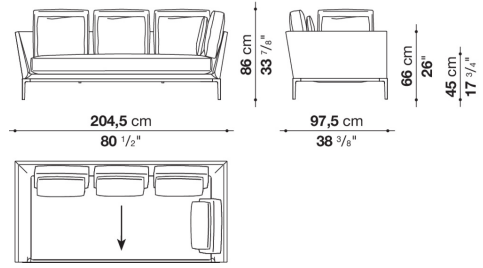
AT255



AT205AS



AT205AD



AT205

