

---

# Le Bambole

SOFAS

2022

Mario Bellini



## Description

---

The Bibambola and Granbambola sofas are part of Le Bambole series, originally designed in 1972, awarded with the Compasso d'Oro in 1979. Icon of timeless contemporaneity and one of the most effective expressions of Made in Italy excellence combining research and creative flair, Le Bambole have provided a very personal answer to the theme of seats. What makes them special is the apparent absence of a load bearing structure, the extreme naturalness of the shape, and the combination of comfort, softness and elasticity that their appearance conveys. Where the original construction was based on a metal structure embedded in polyurethane, now the materials used are of the latest generation, starting with recycled polyethylene gives structure. A sustainable project thanks to the choice of materials and the construction method, that allows the components of Le Bambole to be completely disassembled and therefore easily recyclable.

# Technical information

---

**Upholstery**

flexible cold shaped polyurethane foam, polyester fibre cover

**Elastic section**

thermoplastic elastomer or expanded polyurethane

**Frame**

polyethylene

**Feet cover**

nylon

**Ferrules**

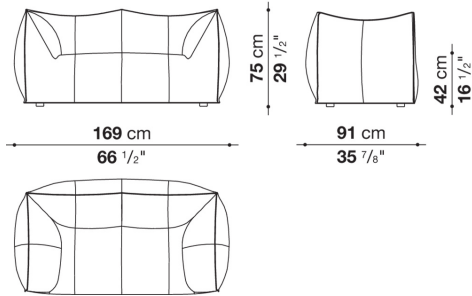
thermoplastic material

**Cover**

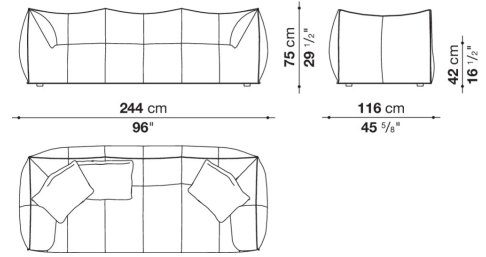
fabric or leather

# Technical drawings

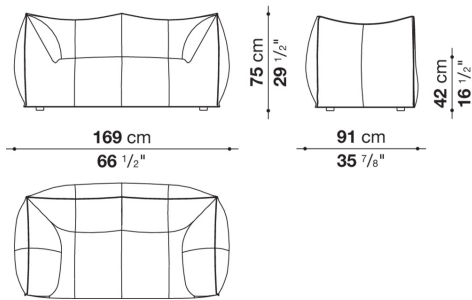
**LBA2**



**LBA3**



**LBA2\_MC**



**LBA3\_MC**

