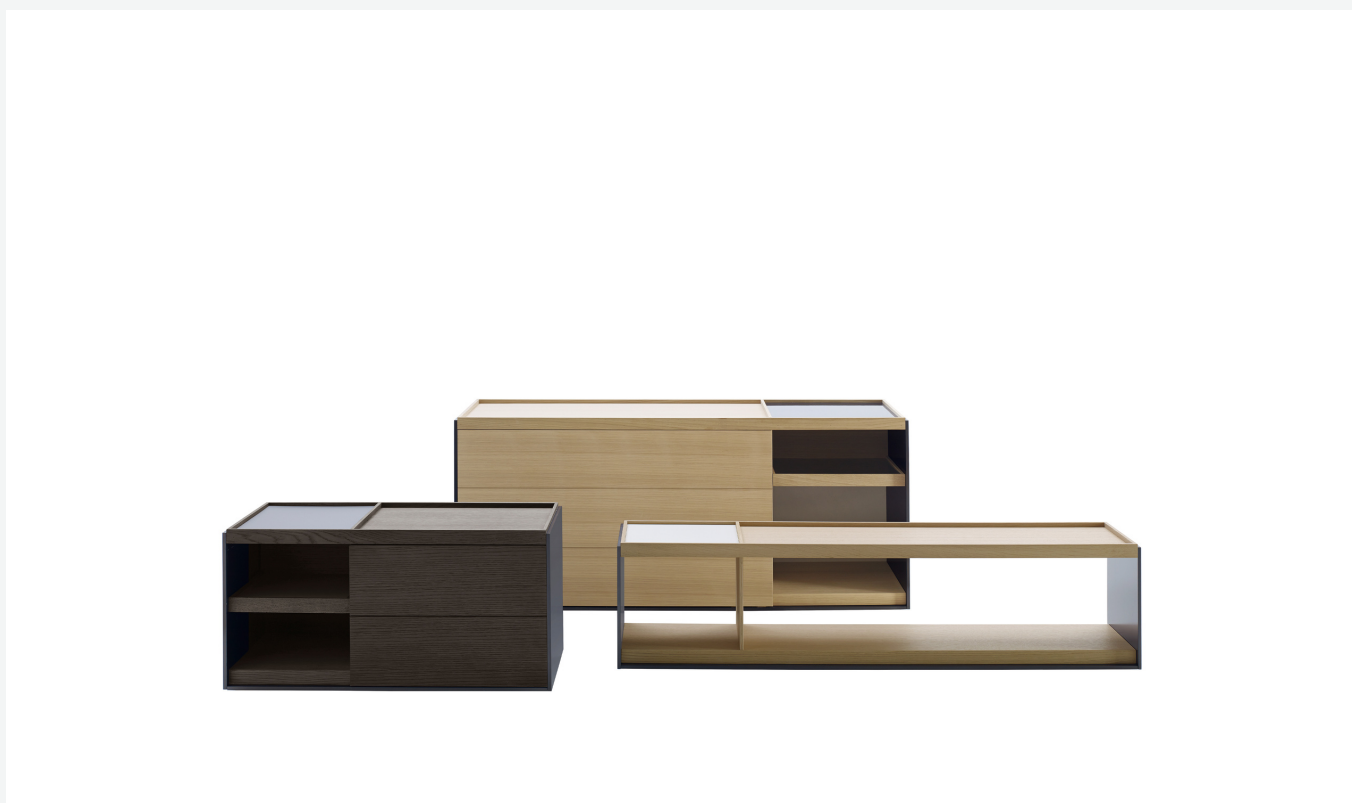


Surface

LIVING STORAGE UNITS

2015

Vincent Van Duysen



Description

Geometric and linear, the Surface storage units with drawers stand out for their reduced forms, essential materials and colour choices – sober features that never issue from simplification, but rather from a subtle quest for balance. With their vast customisation possibilities and combination of materials, they are truly iconic pieces of modern furniture.

Technical information

Storage unit frame

veneered wood particles panel

Storage unit frame with section and extractable shelf

solid wood, veneered wood particles panel

Section and drawer front

MDF wood fibre panel

Side and baseboard

HPL stratified laminate panel

Drawer frame

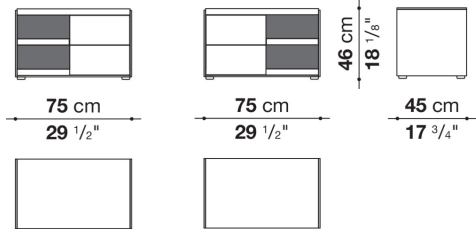
panels in MDF wood fibre, bottom in refined wood particles

Adjustable feet

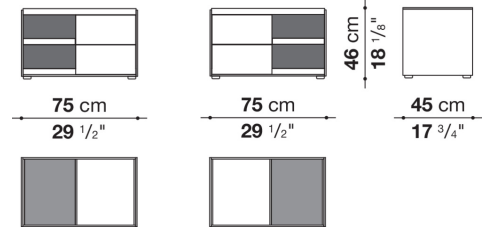
steel and plastic material

Technical drawings

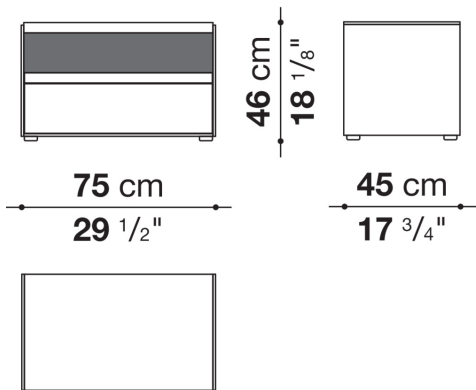
CSF75



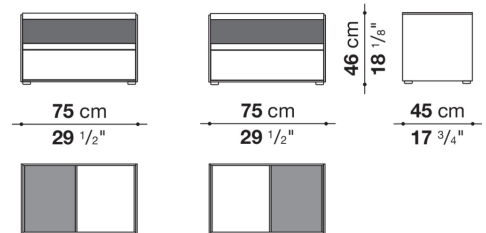
CSF75V



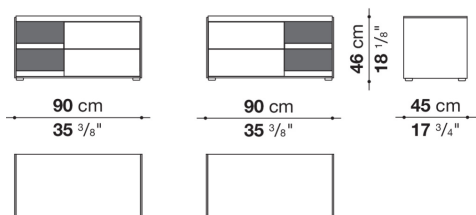
CSF75A



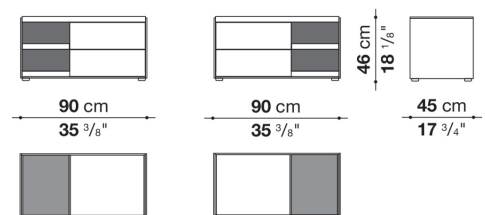
CSF75AV



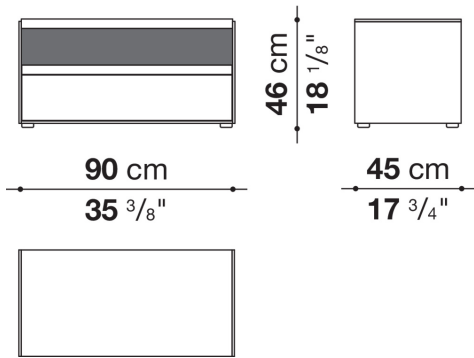
CSF90



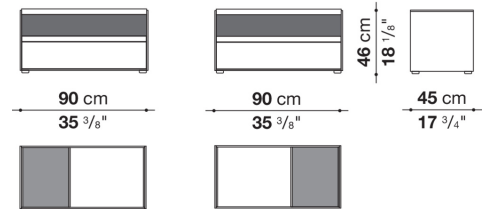
CSF90V



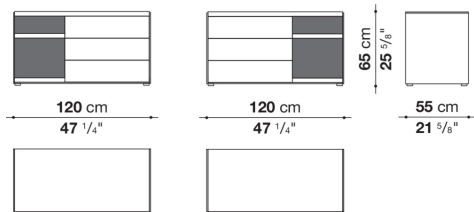
CSF90A



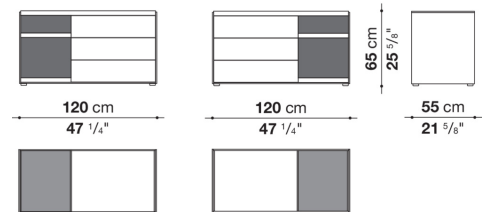
CSF90AV



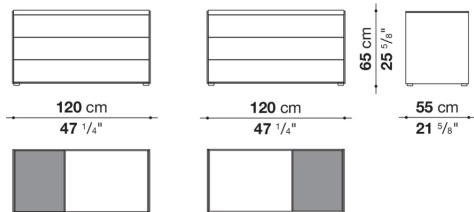
CSF120A



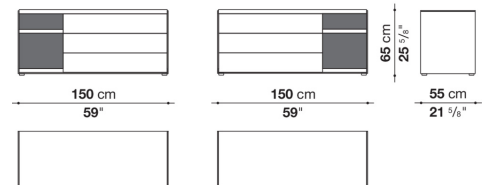
CSF120AV



CSF120BV



CSF150D



CSF150DV

