

# B&B Atoll

BEDS

2021

Antonio Citterio



## Description

---

The B&B Atoll collection is continuously being expanded and updated, and has now been extended with the addition of a new bed. This latest piece of furniture reflects the stylistic elements of the B&B Atoll sofas, united as they are by the same exceptional elegance, clean, understated lines, and rigorous proportions, as well as by the die-cast aluminium legs set at each corner, now a staple of contemporary furniture. As with the entire B&B Atoll range, the bed can be covered in leather or fabric.

## Technical information

---

**Internal frame**

tubular steel and steel profiles

**Internal frame upholstery**

Bayfit® flexible cold shaped polyurethane foam, polyester fibre cover

**Slatted base**

tubular steel and wood multi-layered slats

**Support frame**

die-cast aluminium

**Ferrules**

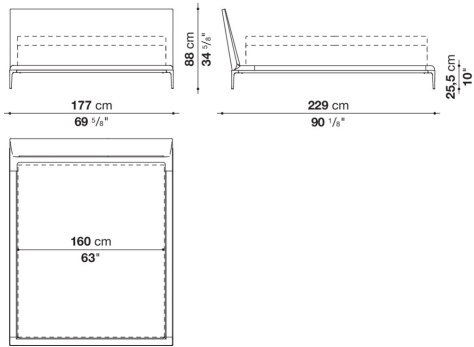
plastic material

**Cover**

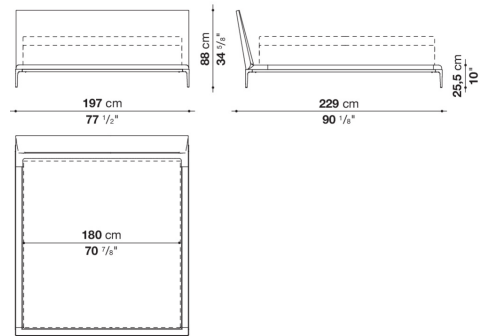
fabric or leather

# Technical drawings

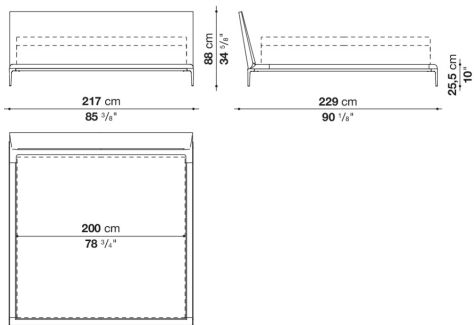
ATL160



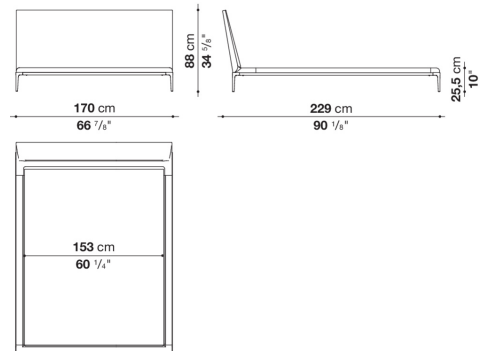
ATL180



ATL200



ATL153



ATL193

