

Elios

SMALL TABLES

2002

Antonio Citterio



Description

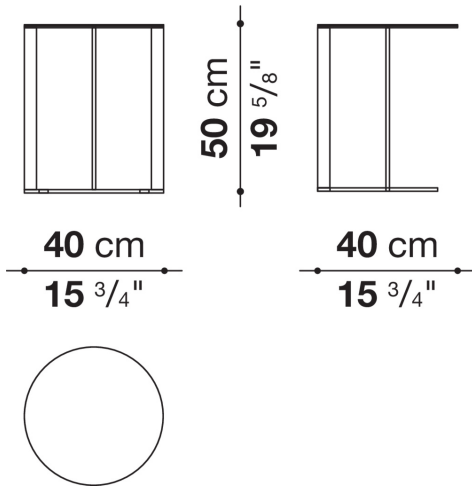
The series of Elios small tables, with circular base and vertical steel uprights in different finishes, is designed specifically to be placed in front of the sofa or right at the break in the sofa backrest. Ideal for resting your tablet, diary, or cocktail on. It is available in either an oval or round shape, with or without the removable oak tray, which comes in different finishes or shellac.

Technical information

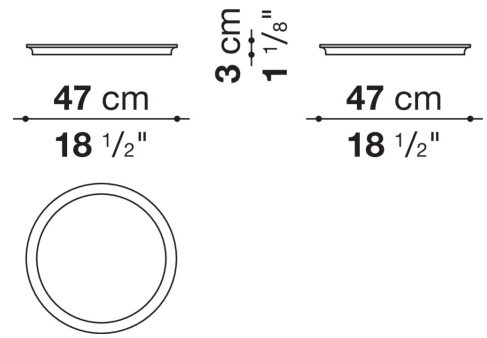
Top
mirror with protective safety film or tempered glass
Tray (TME4_V-TME6_V)
hard polyurethane or solid wood and MDF wood fibre panel
Frame
steel profiles
Ferrules
plastic material and felt

Technical drawings

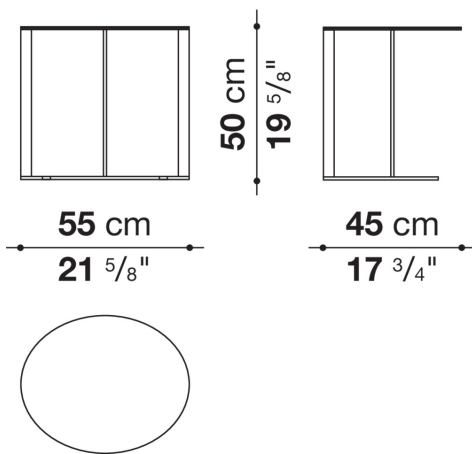
TME4



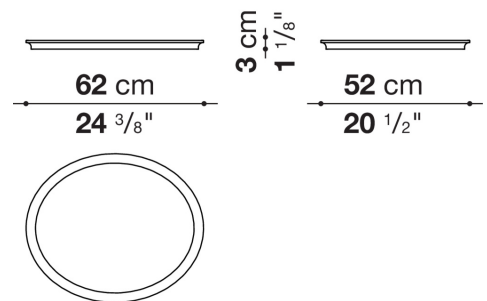
TME4_V



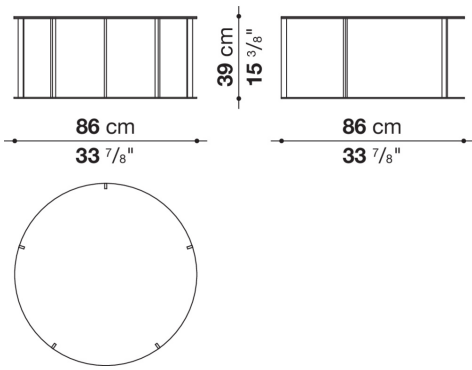
TME6



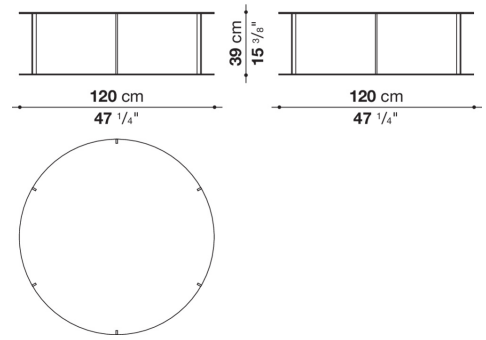
TME6_V



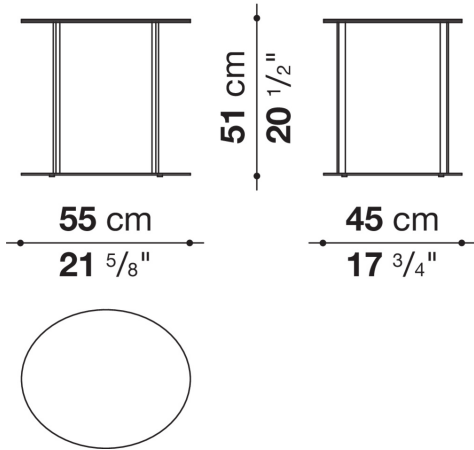
TME8



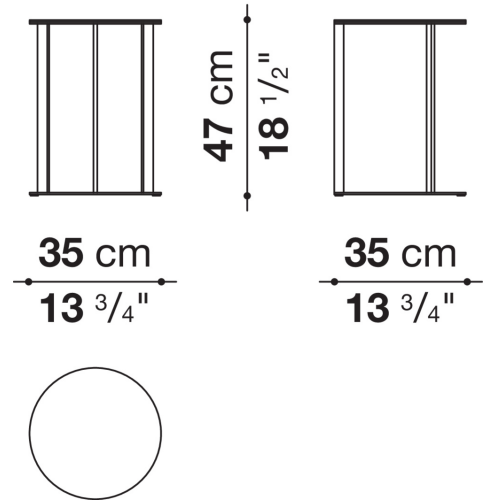
TME12



SMT05S



SMTT3S



SMTT3BS

