

# Fat-Fat

SMALL TABLES

2004

Patricia Urquiola



## Description

---

The theme of the tray is picked up to create three tables, whose lightness results from the steel frame. A fourth model, which is higher than the others, offers an extremely convenient surface when placed by the sofa. Fat-Fat side table can even be stacked.

## Technical information

---

**Support frame**

steel sheet and steel profiles

**Tray**

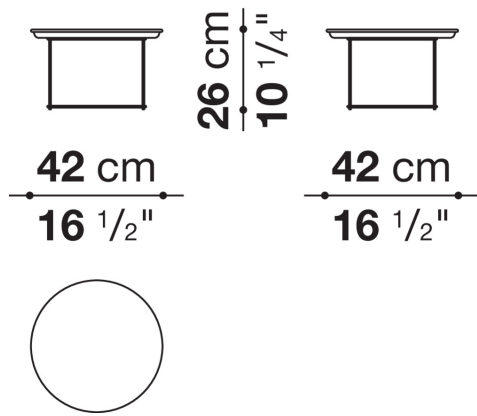
steel sheet

**Ferrules**

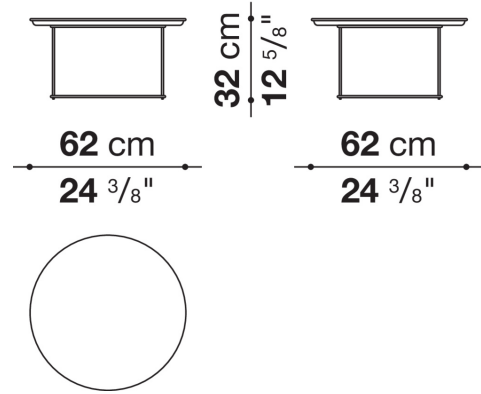
thermoplastic material

# Technical drawings

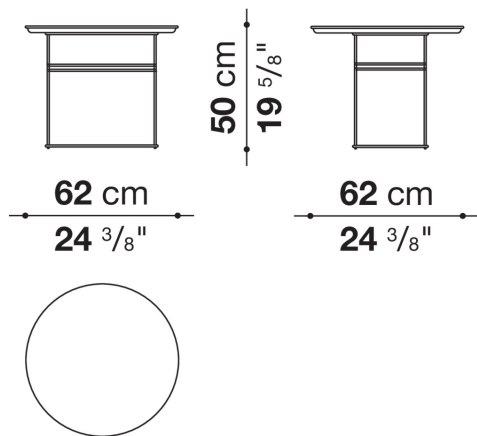
## TFF42



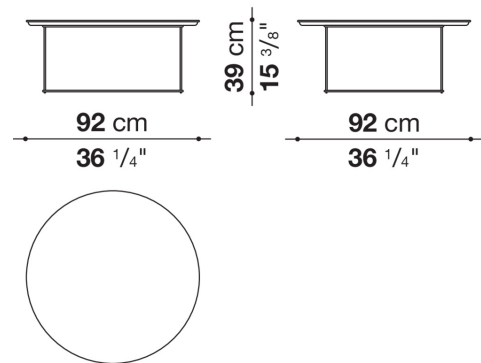
## TFF62



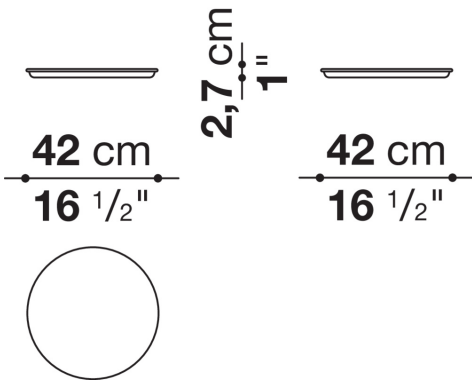
## TFF62A



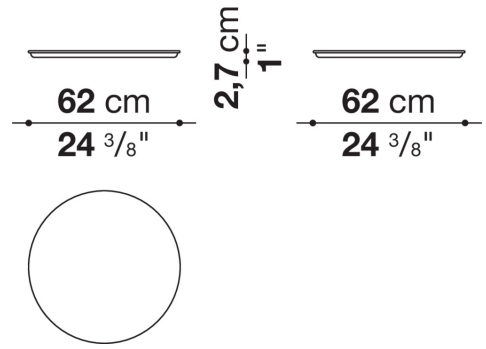
## TFF92



# VFF42



# VFF62



**VFF92**

