

Febo

BEDS

2009

Antonio Citterio



Description

The Febo bed is available in different sizes with an elegant headboard and the added comfort of two back cushions. The single material and the visible blanket stitch are the characteristic features.

Technical information

Internal frame

tubular steel and steel profiles

Internal frame upholstery

Bayfit® flexible cold shaped polyurethane foam, polyester fibre cover

Back cushion (LFB60)

down feather and polyester fibre, pillow style typology

Slatted base

tubular steel and wood multi-layered slats

Ferrules

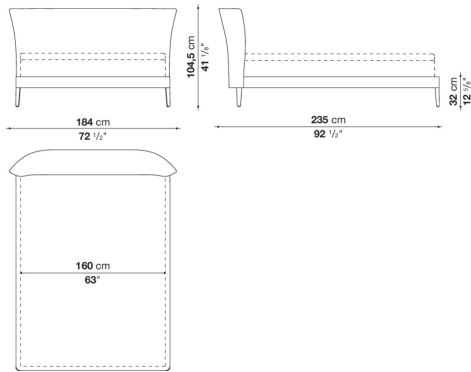
thermoplastic material

Cover

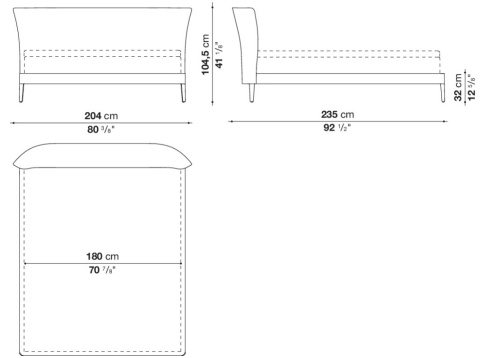
fabric or leather (blanket stitching)

Technical drawings

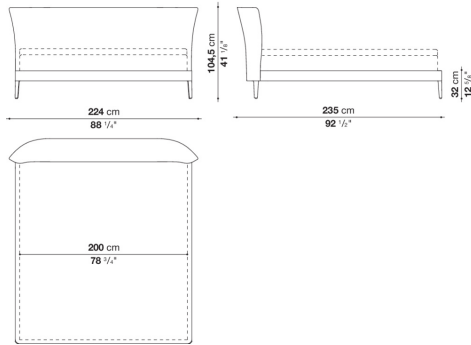
LFB160V



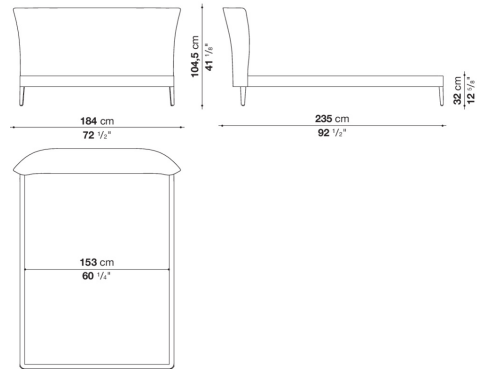
LFB180V



LFB200V



LFB153V



LFB193V

