

## Lithos

SMALL TABLES

2010

Antonio Citterio



## Description

---

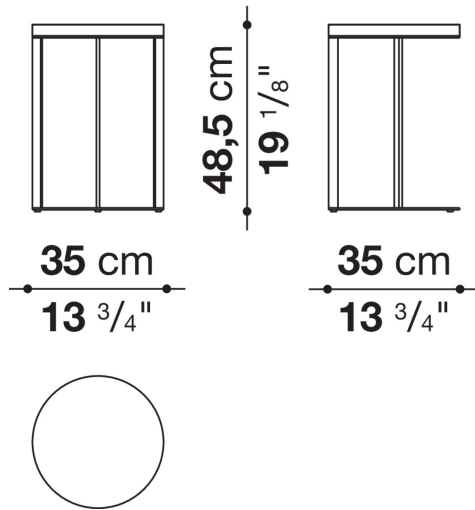
Designed to store and display precious objects with great elegance, the Lithos low tables are ideal for both home and retail spaces. These pieces can be placed in the centre of the room to allow their contents to be viewed, extracted and repositioned with ease. They are available in two sizes and combine a transparent glass top with a metal frame painted in refined hues. The middle top and pull-out trays are in wood, available in a variety of finishes. The trays are coated in colonial or dark brown leather. Also available in the series are square, rectangular or circular coffee tables to be placed in the center of the room or next to the sofas with marble tops in different colours or in wood with slatted upper and lower top.

## Technical information

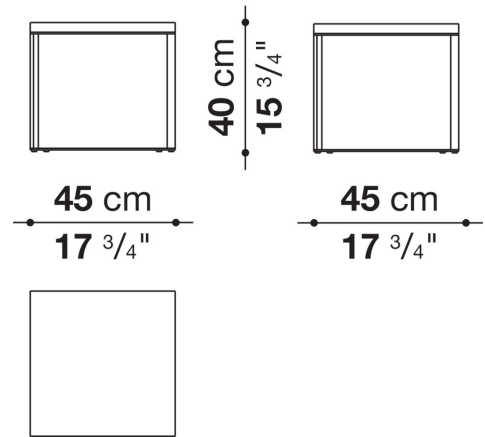
---

Top  
wood particles panel with parts in veneered solid wood or marble (glossy polyester finish or natural finish)  
Lower top (SMTM6L-SMTM7L)  
wood particles panel with parts in veneered solid wood  
Top (TLT13-TLT18)  
extra light glass  
Middle top (TLT13-TLT18)  
veneered MDF wood fibre  
Extractable tray (TLT13-TLT18)  
veneered MDF wood fibre with leather covered bottom base  
Frame  
steel profiles  
Ferrules  
plastic material

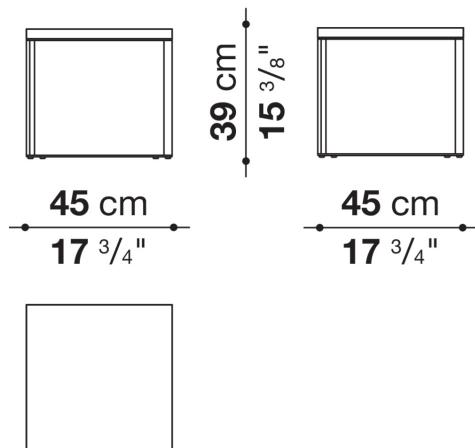
## SMTT3BM



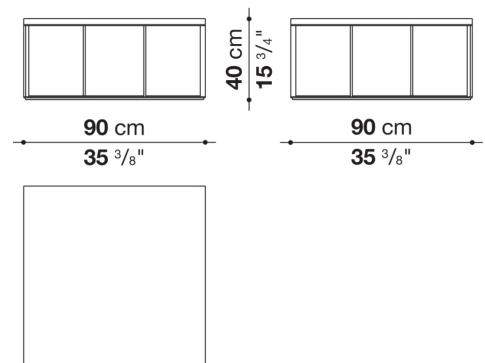
## SMTL4



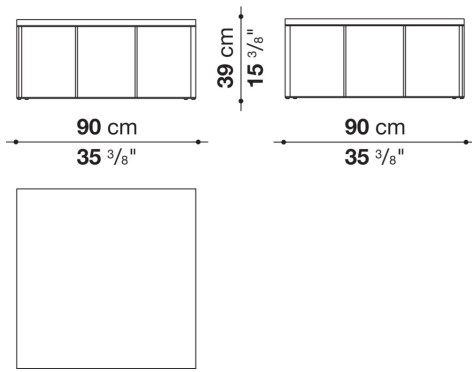
## SMTM4M



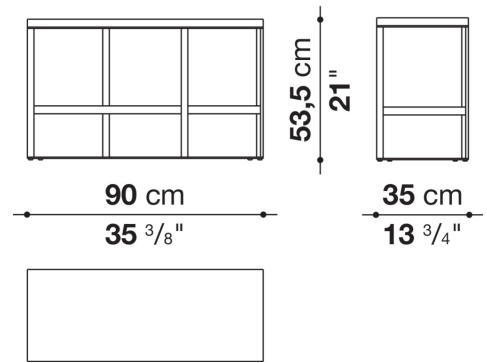
## SMTL6



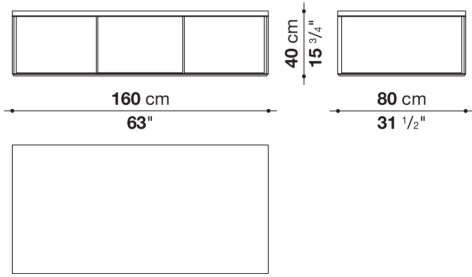
### SMTM6M



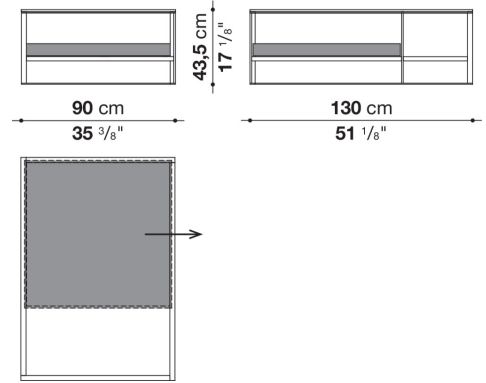
### SMTL5



### SMTL7



### TLT13



### TLT18

