

Lucrezia Soft

ARMCHAIRS

2021

Antonio Citterio



Description

The Lucrezia Soft armchair has a softer image thanks to particularly generous padding and details that soften its geometries. The cover, in fabric or leather, is enriched by refined "haute couture" detailing: faux leather profiles for the fabric versions and refined "profile" stitching for the leather ones.

Technical information

Internal frame

tubular steel and steel profiles

Internal frame upholstery

Bayfit® flexible cold shaped polyurethane foam, polyester fibre cover

Seat cushion upholstery

shaped polyurethane of different density, polyester fibre, polyester and cotton fibre cover

Base-frame

die-cast aluminium and extrusions

Ferrules

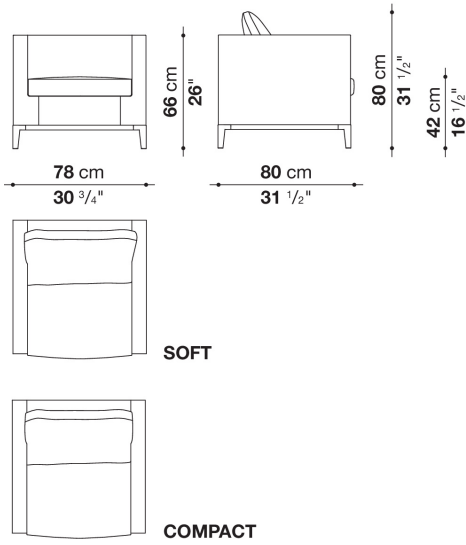
thermoplastic material

Cover

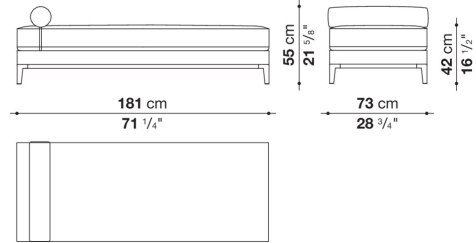
fabric (eco-leather profiles) or leather (profile stitching)

Technical drawings

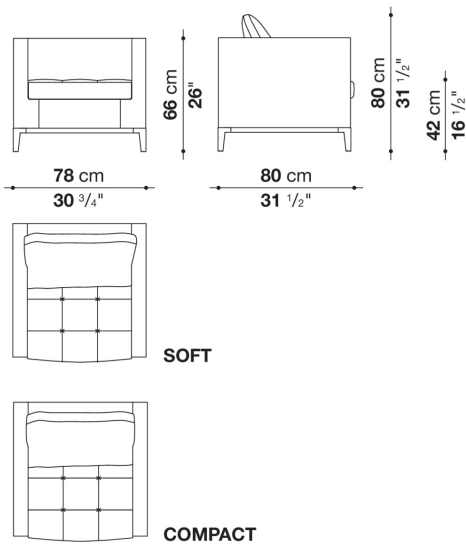
LZ78



LZ181L



IL78



IL181L

