

Max

COMPLEMENTS

2001

Antonio Citterio



Description

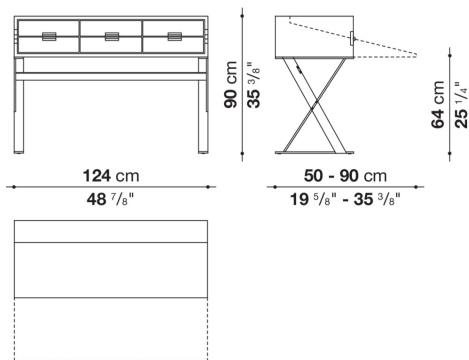
A writing desk reminiscent of a classic bureau with a contemporary twist, Max is a small jewel of the cabinet-maker's art. It stands out due to its extraordinary attention to detail, making it a precious treasure chest. The main features of this flip-top desk are the special X-shaped design of the steel structure and the geometric design of the drawers. The desk comes in one size in various wood finishes.

Technical information

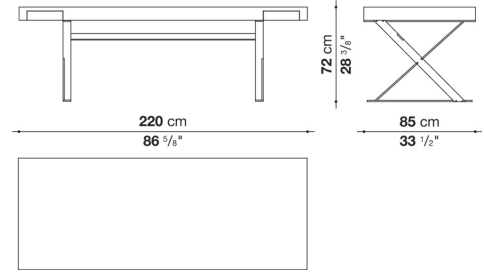
Top
solid wood, wood particles panel, veneered multi-layered wood panel
Support frame
drawn steel
Feet
plastic material

Technical drawings

TMA124



SMSCR22



SMSCR

