

## Caratos

OTTOMAN

2018

Antonio Citterio



## Description

---

The Caratos ottomans are versatile furnishings that adapt to a vast range of furnishing styles and contexts. They stand out for their openly contemporary nature and for the detail on the base, which recurs throughout the entire Caratos collection: an iconic frame with slender die-cast aluminium legs available in a range of finishes. The ottomans are available with or without the seat cushion and upholstered either in fabric or in leather.

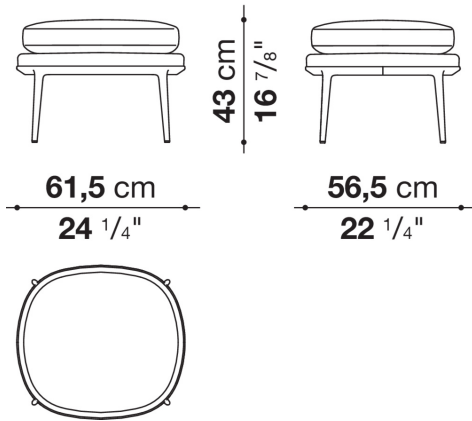
## Technical information

---

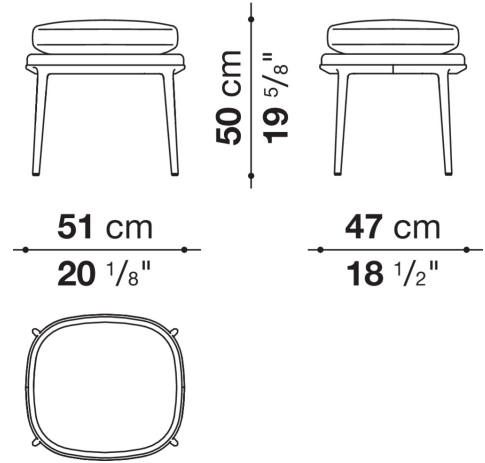
Shell  
polypropylene  
Shell upholstery  
Bayfit® flexible cold shaped polyurethane foam  
Support frame  
melting in aluminium alloy  
Ferrules  
plastic material  
Cover  
fabric or leather

# Technical drawings

## PCA62



## PCA51B



## CA43P

