

Caratos

CHAIRS

2019

Antonio Citterio



Description

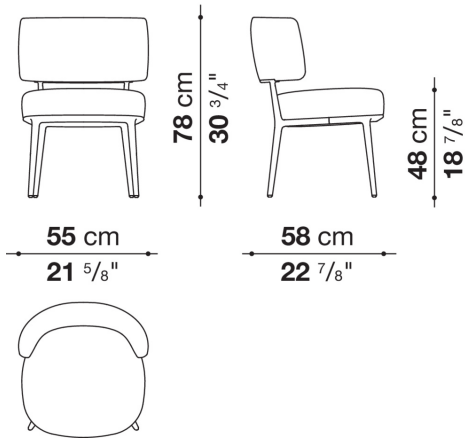
Caratos is a collection of upholstered chairs market by great formal elegance. Available in different versions, with fabric or leather upholstery, they have in common the recognizable die-cast aluminum structure. A sophisticated proposal, designed for both domestic and contract use.

Technical information

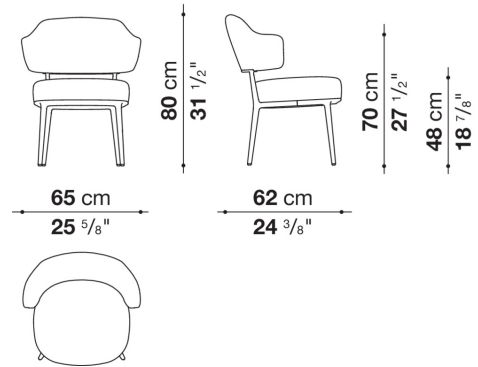
Shell
polypropylene
Shell upholstery
Bayfit® flexible cold shaped polyurethane foam
Back section (CAR55-CAR65)
moulded hard polyurethane with metal pins
Support frame
melting in aluminium alloy
Support frame (CA60A-CA60B)
die-cast magnesium
Ferrules
plastic material
Cover
fabric or leather
Cover (CA47N)
leather

Technical drawings

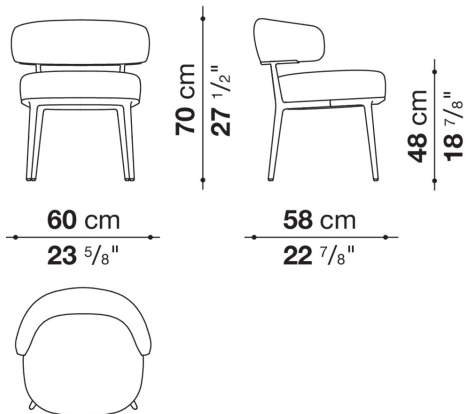
CAR55



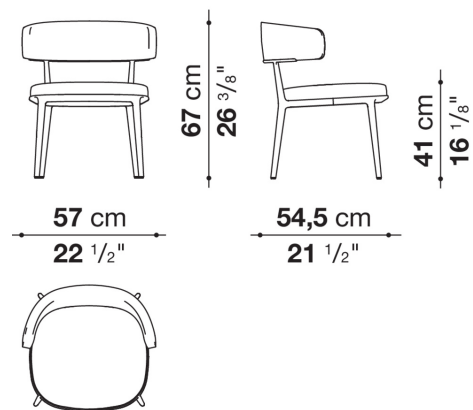
CAR65



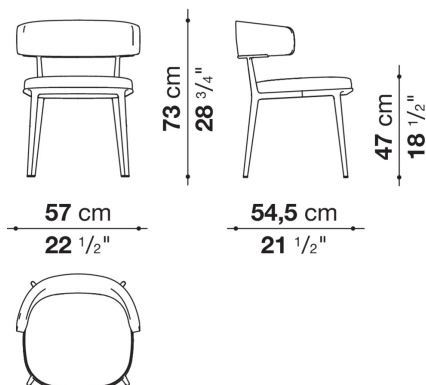
SCA57B_SA



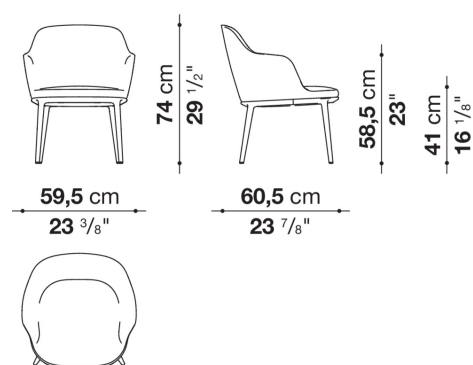
SCA57B

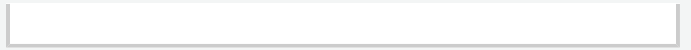
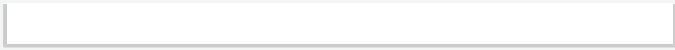


SCA57A

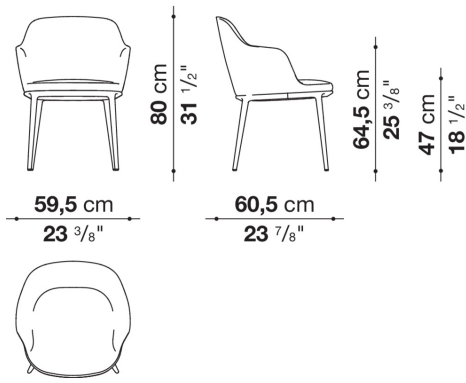


CA60B

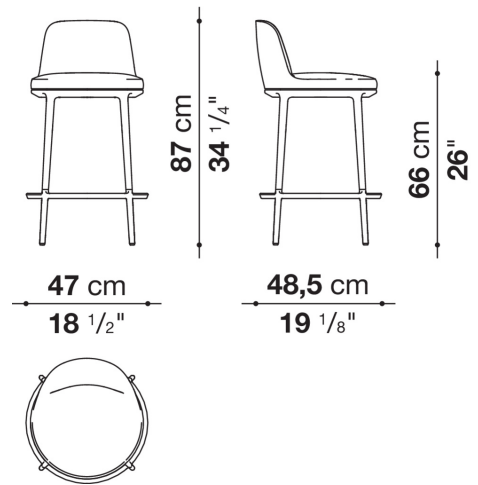




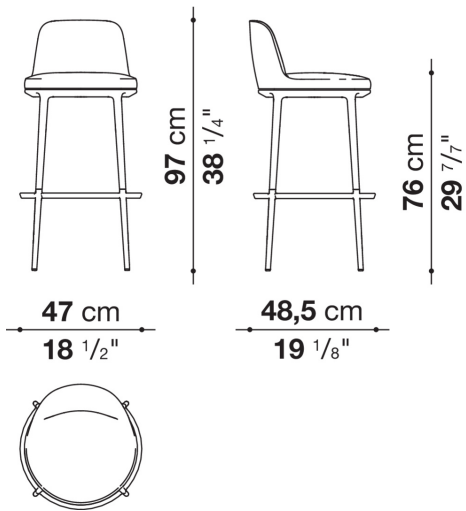
CA60A



CA87ST



CA97ST



CA47N

