

Febo

CHAIRS

2008

Antonio Citterio



Description

In addition to the Febo family there are the chairs in three versions: the first has classic and extremely comfortable proportions, the second is reduced in height so as to be paired with the tea tables and the last one has a high back and more enveloping lines. All the chairs are available both in a single material covered in fabric or leather with prominent blanket stitch or with wooden legs.

Technical information

Internal frame

tubular steel and steel profiles

Internal frame upholstery

Bayfit® flexible cold shaped polyurethane foam, polyester fibre cover

Legs

solid wood or covered in fabric or leather

Ferrules

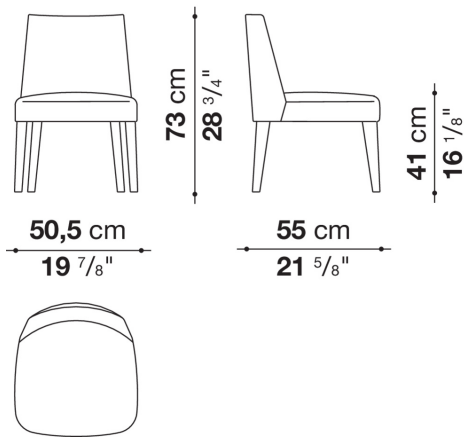
thermoplastic material

Cover

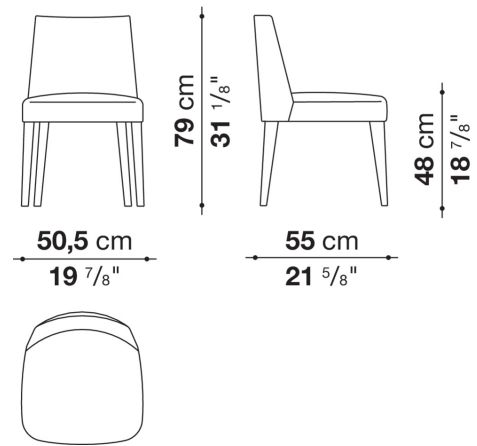
fabric (blanket stitching) or leather (blanket stitching or raised stitching)

Technical drawings

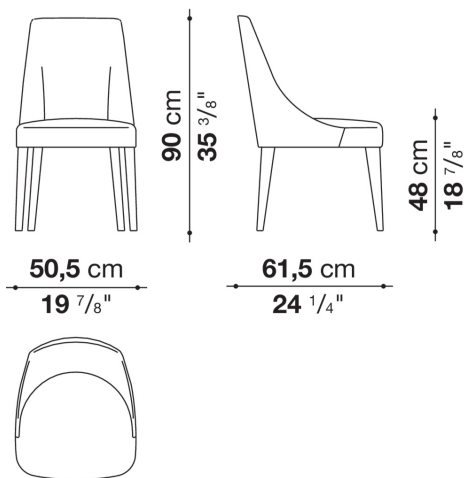
2806T



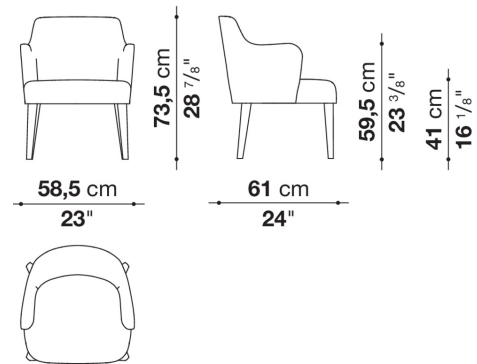
2804T



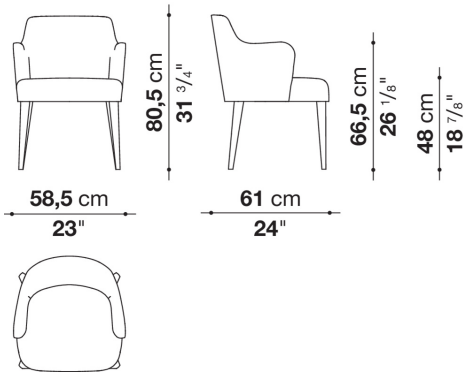
2808T



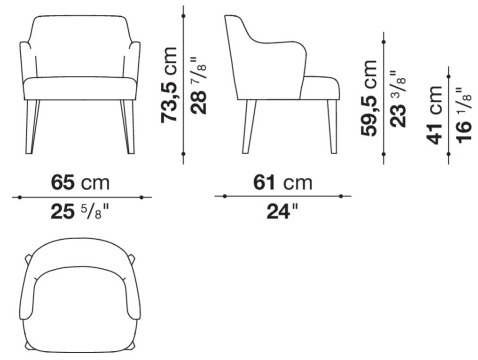
2846T



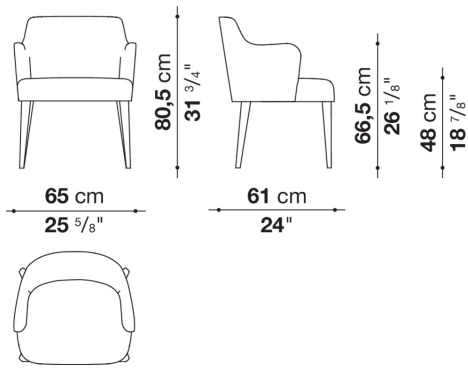
2844T



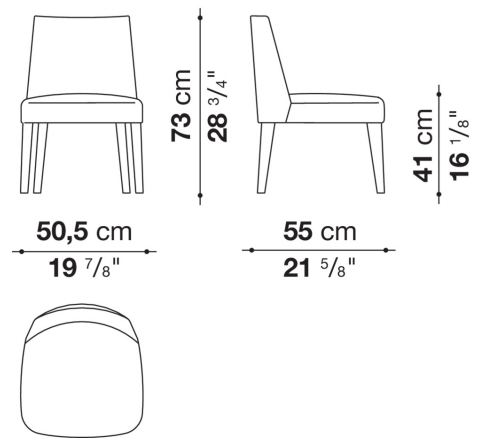
2836T



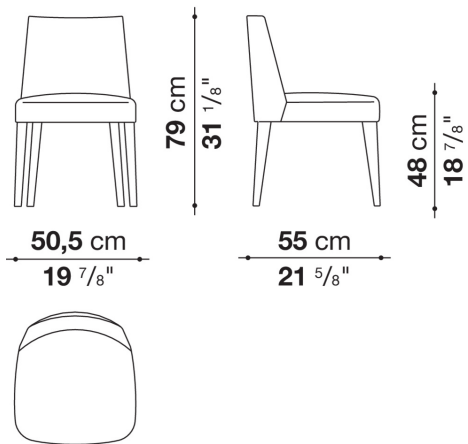
2834T



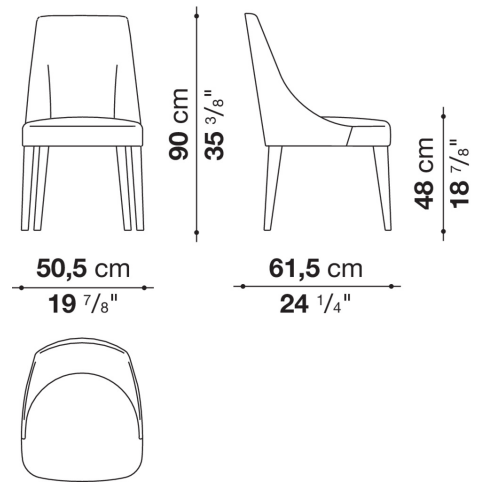
2806LT



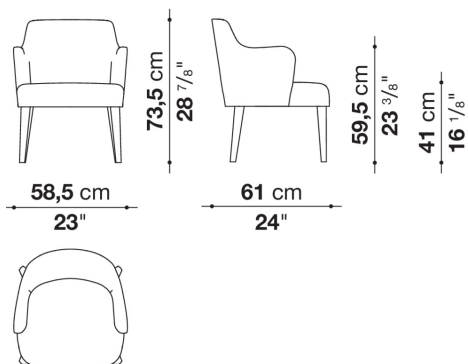
2804LT



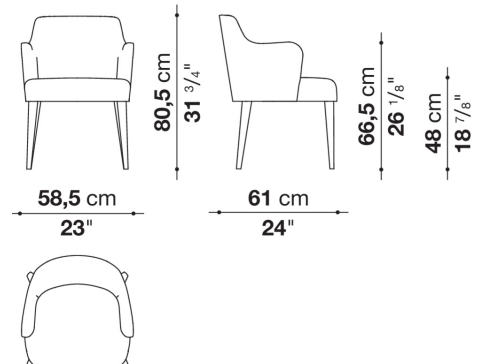
2808LT



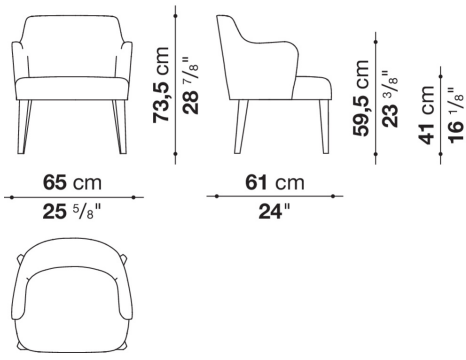
2846LT



2844LT



2836LT



2834LT

