

Pathos '13

SMALL TABLES

2013

Antonio Citterio



Description

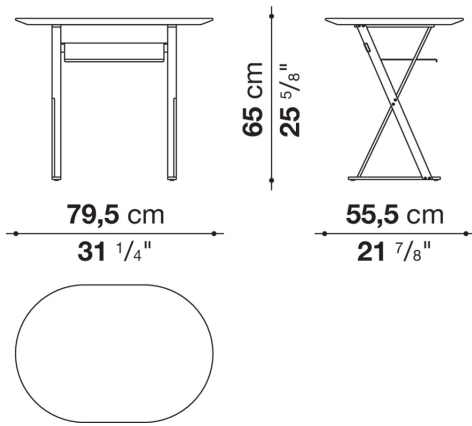
The Pathos '13 service element stand out for the iconic X-shaped metal frame characterising the entire collection of tables and furnishings of the same name. While designed essentially as bedside tables, their versatile nature is underscored by the numerous finishes of the top, which makes them easy to use in any area of the house.

Technical information

Top
MDF wood fibre panel
Support frame
drawn steel
Ferrules
plastic material

Technical drawings

SMCE8



SMCE7A

