

## Recipio '14 writing-desk

COMPLEMENTS

2014

Antonio Citterio



## Description

---

The Recipio '14 writing desk with drawer is characterised by a tripod frame in solid wood and by a Baydur® structural polyurethane foam top marked by soft lines and a tray-shaped design. Particularly sophisticated is the shellac effect finish in a variety of colours. The top is completed by a removable, small, leather-covered top, a functional element that contributes to the desk's refined aesthetics.

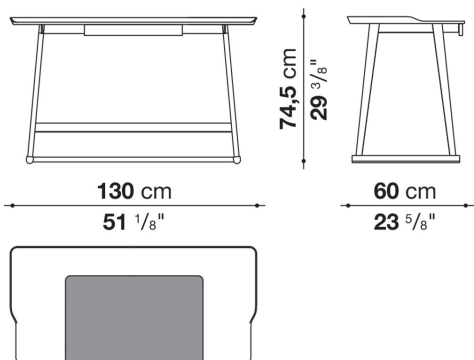
## Technical information

---

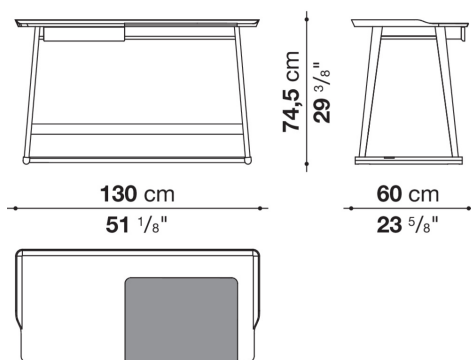
Top  
Bayfit® structural expanded polyurethane foam  
Top section  
steel sheet covered in leather  
Support frame  
solid wood  
Crosspiece protection  
aluminium  
Ferrules  
felt

# Technical drawings

**LXC5**



**LXC5\_S**



**LXC5\_D**

