

## Xilos

TABLES

2012

Antonio Citterio



## Description

---

The distinguishing feature of the Xilos table collection, available in a square and round version, is its cross-shaped frame in wood. The round version is also available with a top in marble and can be paired with a swivel tray in two sizes and different finishes (the same types of wood as the frame or with a top in marble).

## Technical information

---

Top

veneered plywood panel with honeycomb-core and wood particles or lower shelf in ceiba blockboard and MDF, marble (glossy polyester finish)

Frame

veneered solid wood or solid wood and veneered multi-layered wood panel

Swivel tray (SMTG7N-SMTG11-SMTG16N)

HPL stratified laminate panel, veneered wood particles panel or marble (glossy polyester finish)

Swivel tray rotation mechanism (SMTG7N-SMTG11-SMTG16N)

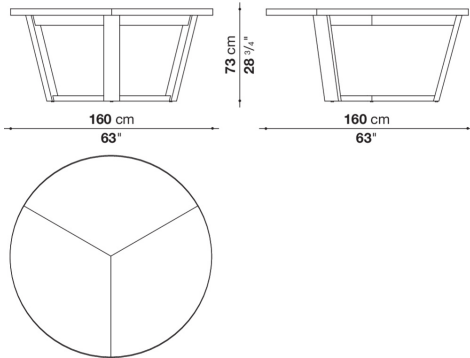
aluminium with steel balls

Adjustable feet

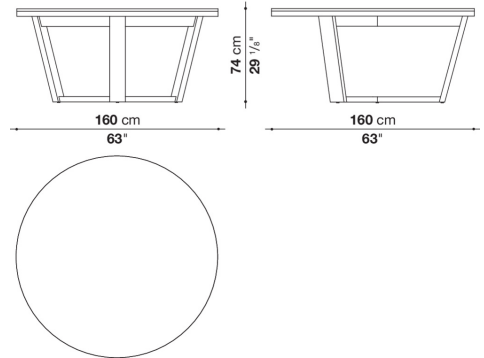
steel and plastic material

# Technical drawings

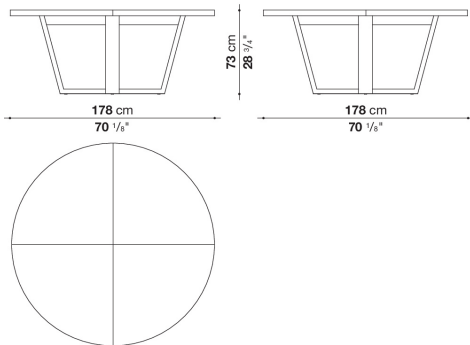
**SMTT16N**



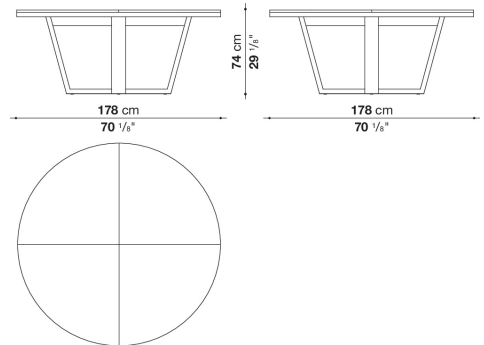
**SMTT16PN**



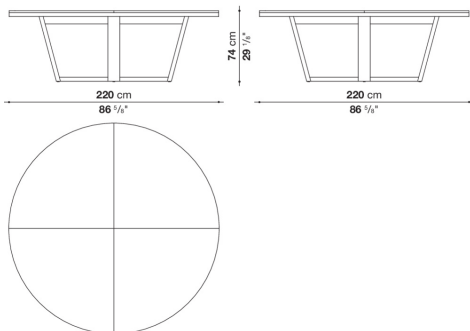
**SMTT18**



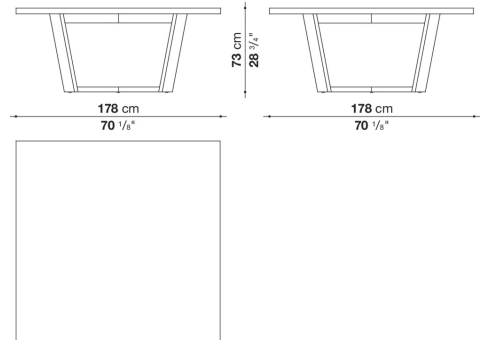
**SMTT18P**



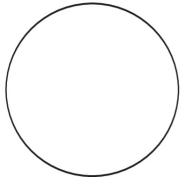
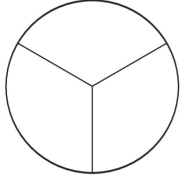
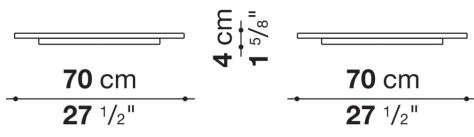
**SMTT22P**



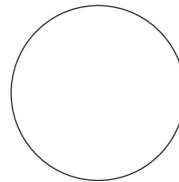
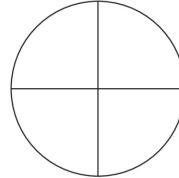
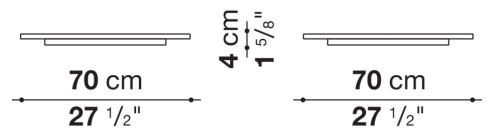
**SMTQ18N**



### SMTG16N



### SMTG7N



### SMTG11

