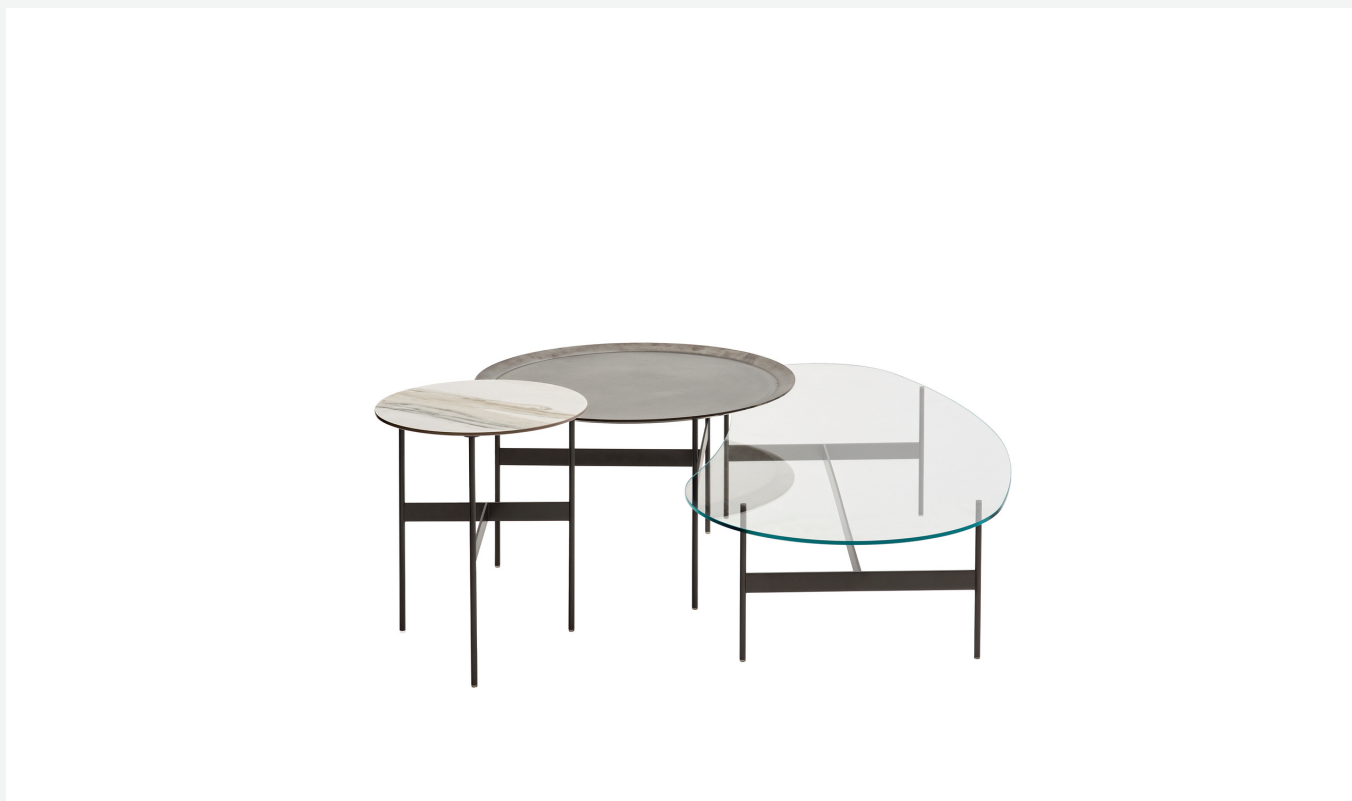

Formiche

SMALL TABLES

2017

Piero Lissoni



Description

Lightness and simplicity distinguish Formiche (Ants in English) complements. The slender support frame (making reference to the name), with its shape and finish, picks up the theme of the feet in the sofa system. The rounded support of painted steel is connected by crosspiece to support the tops in different shapes, round, oval, or “kidney bean”. Formiche's various shapes and heights make it possible to compose different support systems. The tops themselves, made of several finishes, have a fine thickness of 8 mm.

Technical information

Top

glass or porcelain stoneware

Tray (FR47V-FR67V)

aluminium sheet or wood

Support frame

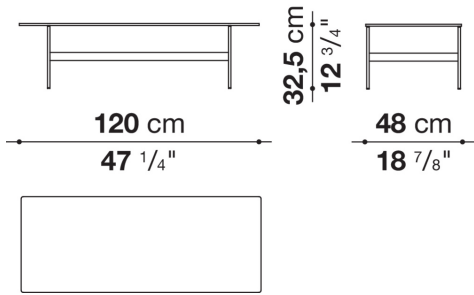
drawn steel

Ferrules

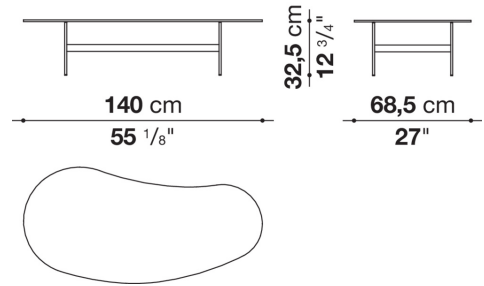
plastic material

Technical drawings

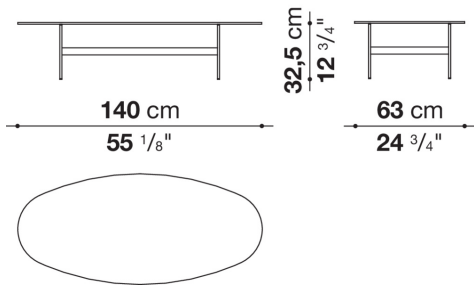
FR120



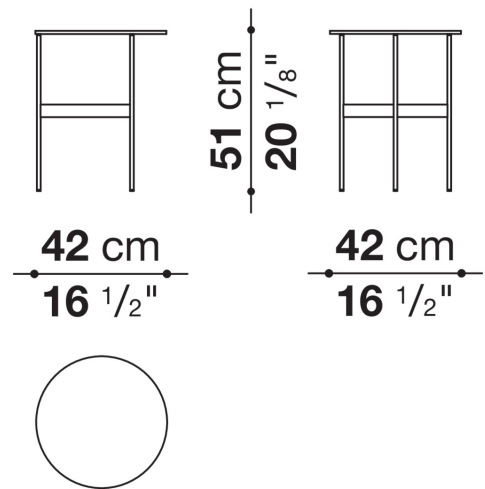
FR140_1



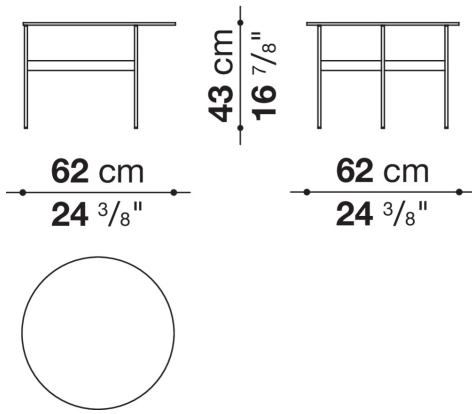
FR140_2



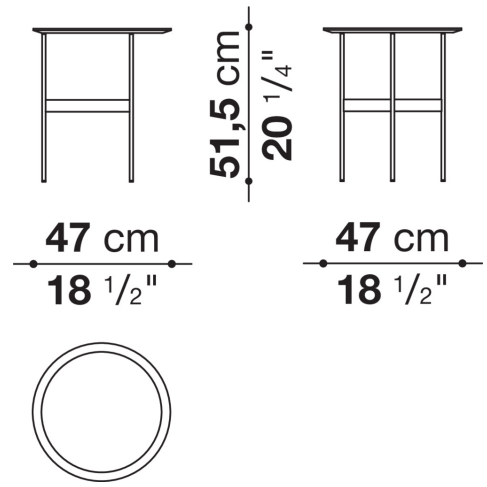
FR42



FR62



FR47V



FR67V

