

Jack

LIVING STORAGE UNITS

2018

Michael Anastassiades



Description

Classic yet contemporary, essential yet extremely flexible, the Jack wall system is offered in two versions: with vertical floor to ceiling uprights, or with rods to be fixed to the wall. The modularity and discrete technical solutions underlying the project make it possible to create compositions for every room and furnishing context. The system features numerous elements which can be combined to increase the system's functionality. These include new, deeper shelves, storage elements such as drawers, and flap doors. From an aesthetic point of view, all the elements of the Jack wall system are available in two colours, to which Canaletto walnut and four oak finishes are added as an option for the shelves and storage units.

Technical information

Frame

painted die-cast aluminium and extrusions

Shelves

painted or veneered HPL stratified laminate

Storage units

painted or veneered MDF wood fibre panel

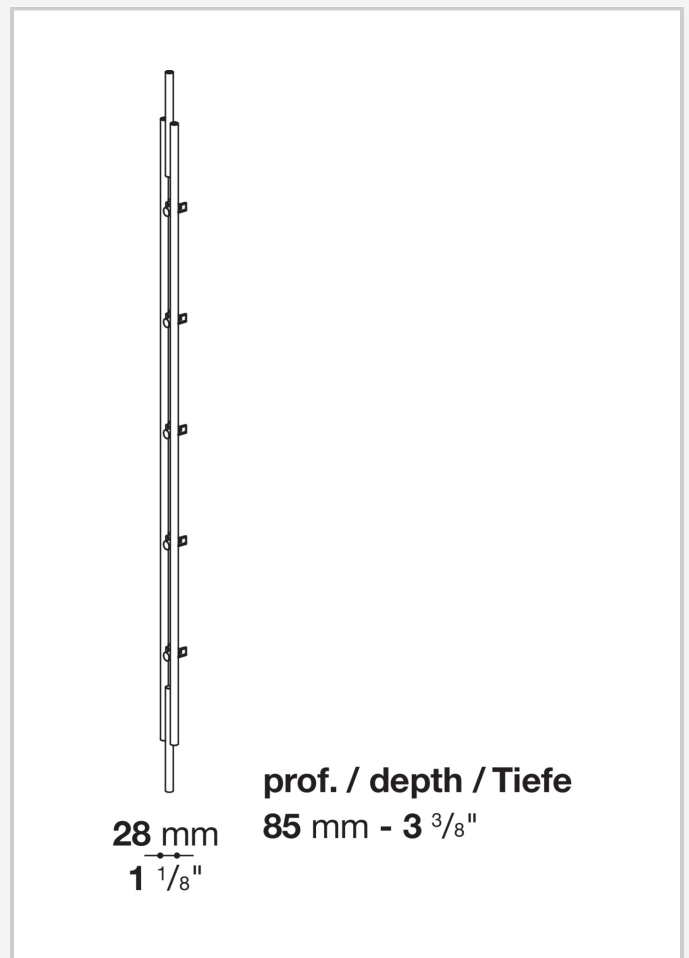
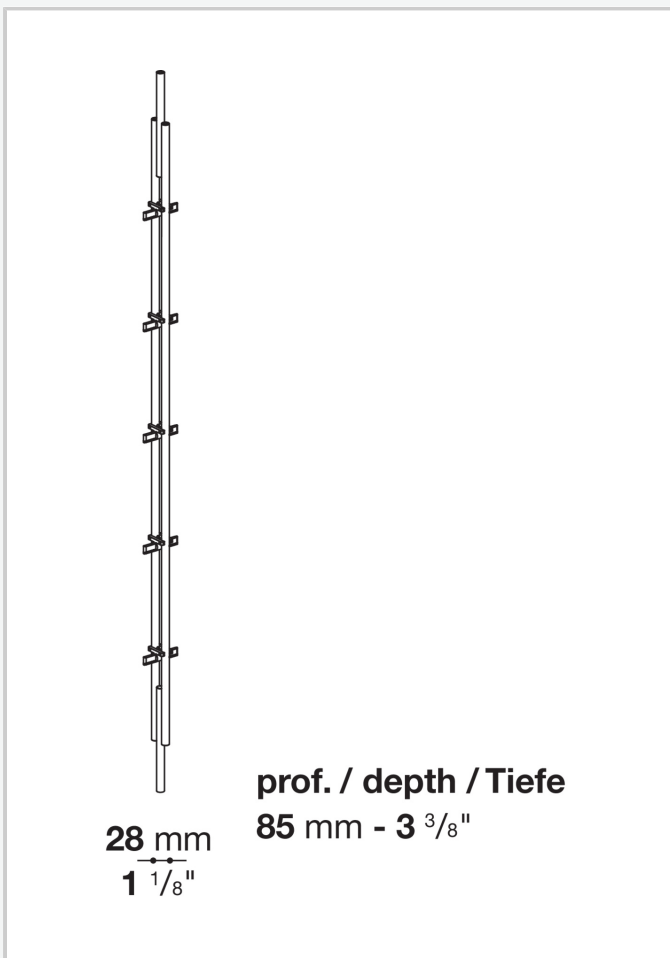
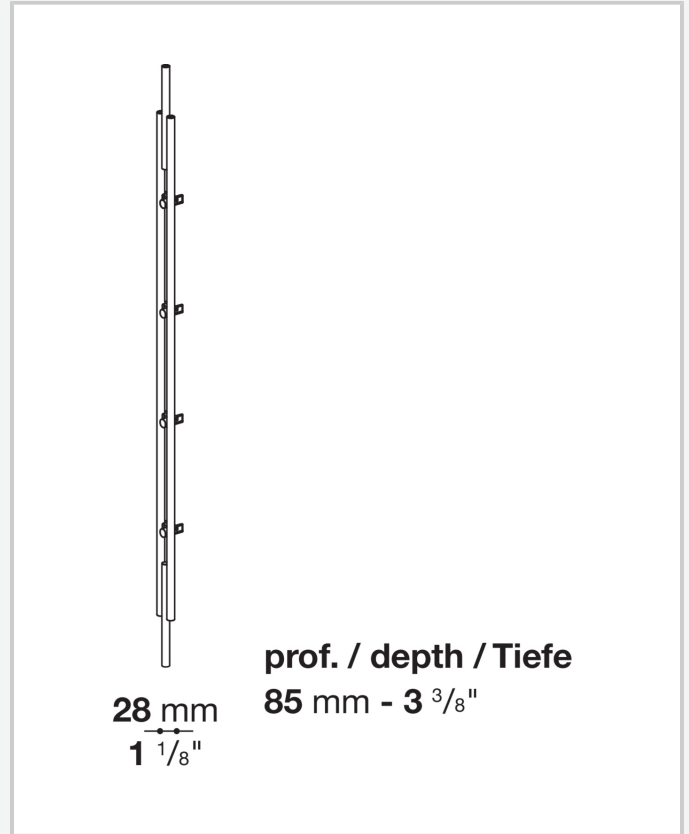
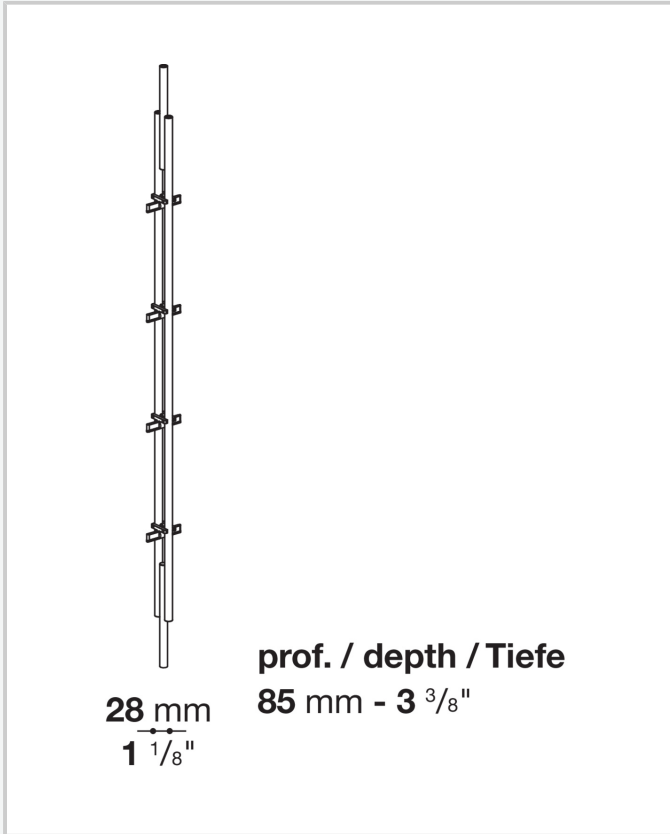
Drawer frame

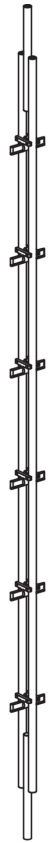
MDF wood fibre panels, wood particles panels

Ferrules and regulators

steel

Technical drawings





28 mm
1 1/8"

prof. / depth / Tiefe
85 mm - 3 3/8"



28 mm
1 1/8"

prof. / depth / Tiefe
85 mm - 3 3/8"



28 mm
1 1/8"

prof. / depth / Tiefe
221 - 271 mm / 8 5/8" - 10 5/8"



28 mm
1 1/8"

prof. / depth / Tiefe
221 - 271 mm / 8 5/8" - 10 5/8"



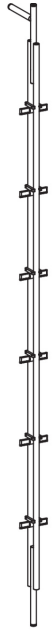
28 mm
1 1/8"

prof. / depth / Tiefe
221 - 271 mm / 8 5/8" - 10 5/8"



28 mm
1 1/8"

prof. / depth / Tiefe
221 - 271 mm / 8 5/8" - 10 5/8"



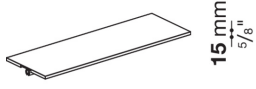
28 mm
1 1/8"

prof. / depth / Tiefe
221 - 271 mm / 8 5/8" - 10 5/8"

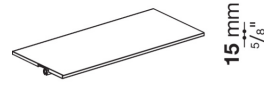


28 mm
1 1/8"

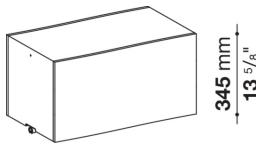
prof. / depth / Tiefe
221 - 271 mm / 8 5/8" - 10 5/8"



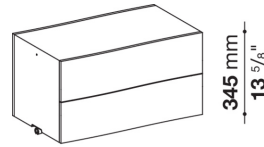
prof. / depth / Tiefe
300 mm - 11 3/4"



prof. / depth / Tiefe
400 mm - 15 3/4"



prof. / depth / Tiefe
400 mm - 15 3/4"



prof. / depth / Tiefe
400 mm - 15 3/4"