

Febo

ARMCHAIRS

2008

Antonio Citterio



Description

The Febo armchairs are a traditional type of seat. Sharing the same soft, elegant lines, they come in different versions, with a more or less enveloping shape, with a high or low backrest, and with or without armrests. The fabric or leather upholstery is embellished by visible blanket stitching and, in a sophisticated single-material version, also incorporates the feet. The base frame also comes in solid wood in different finishes. The Febo series includes sofas, chaise longues, chairs, beds and ottomans.

Technical information

Internal frame

tubular steel and steel profiles

Internal frame upholstery

Bayfit® flexible cold shaped polyurethane foam, polyester fibre cover

Seat cushion upholstery

shaped polyurethane, sterilized down, polyester fibre cover

Headrest upholstery (2830P)

polyester fibre, cotton cover, steel sheet counterweight

Legs

thermoplastic material or covered in fabric or leather

Base-frame

solid wood

Ferrules

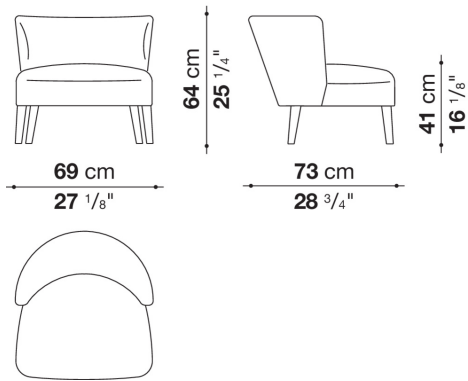
thermoplastic material

Cover

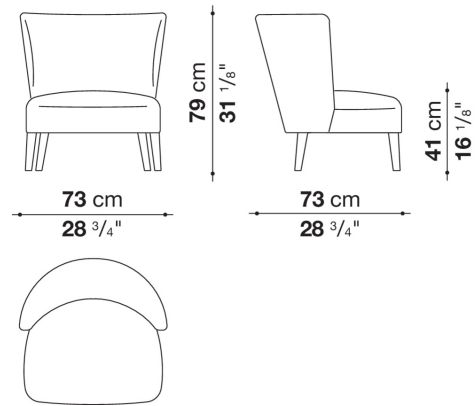
fabric (blanket stitching) or leather (blanket stitching or raised stitching)

Technical drawings

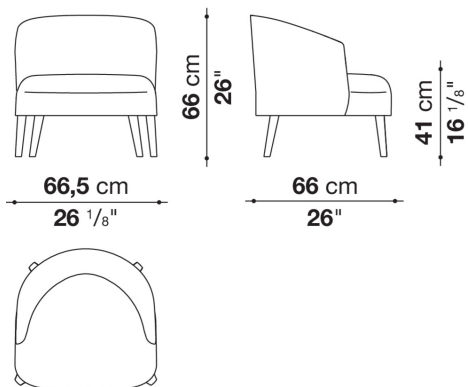
2800T



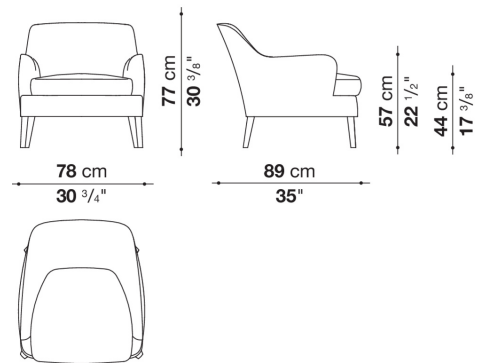
2801T



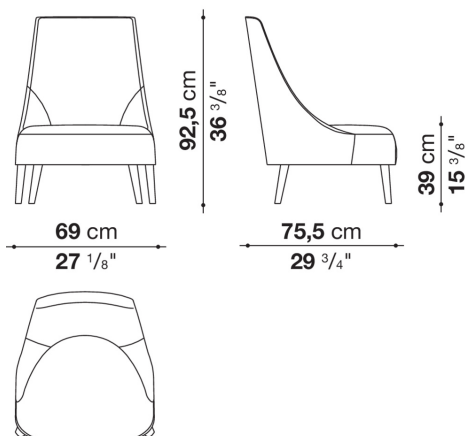
2809T



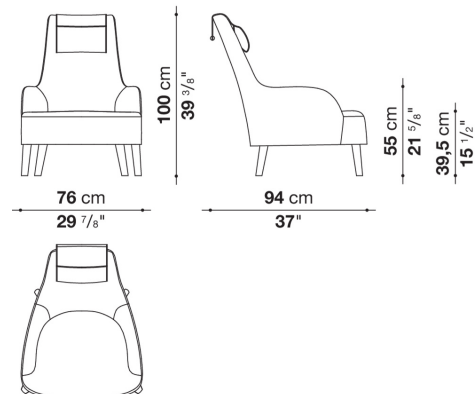
2837T



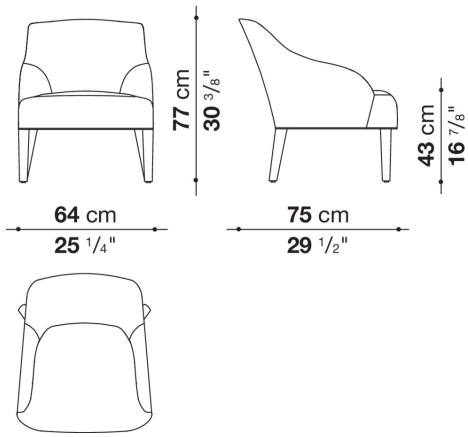
2820T



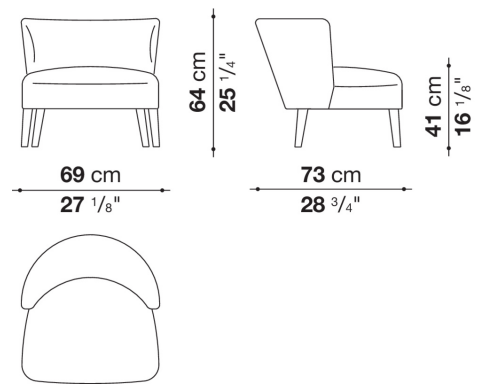
2850T



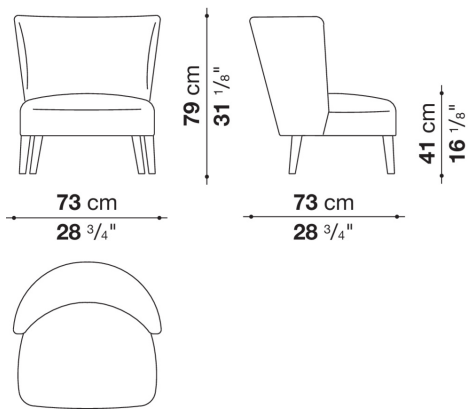
2832T



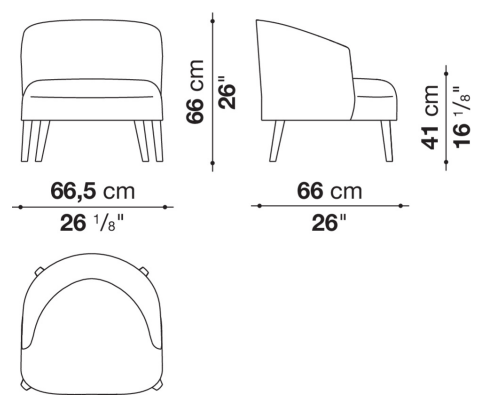
2800CT



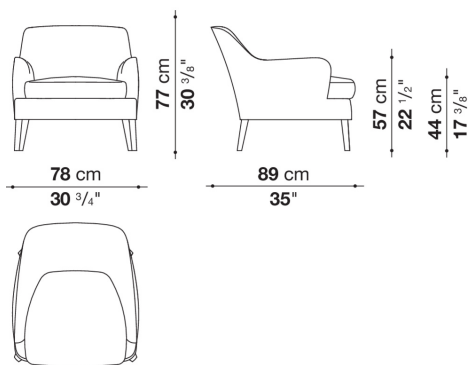
2801CT



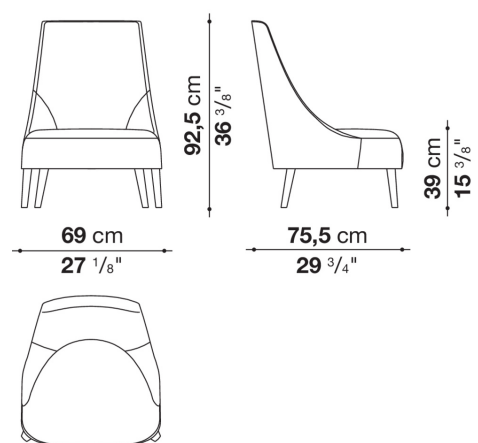
2809CT



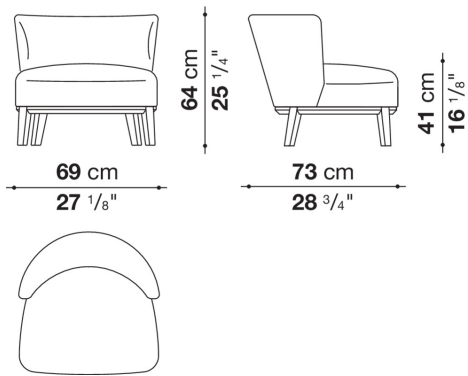
2837CT



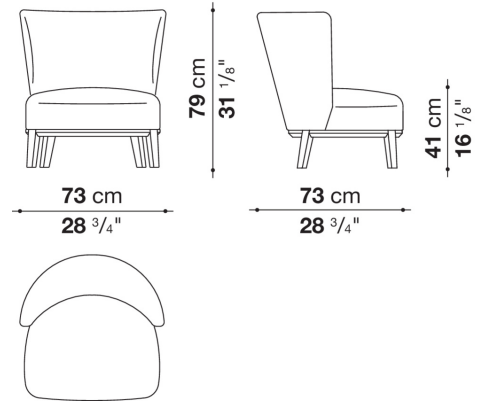
2820CT



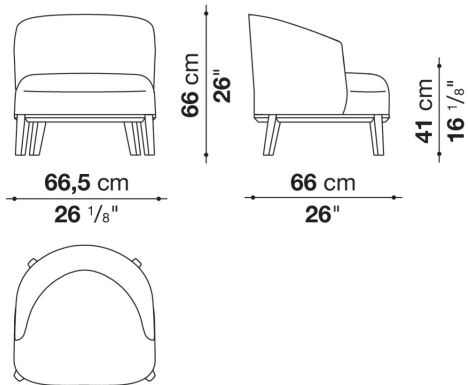
2800LT



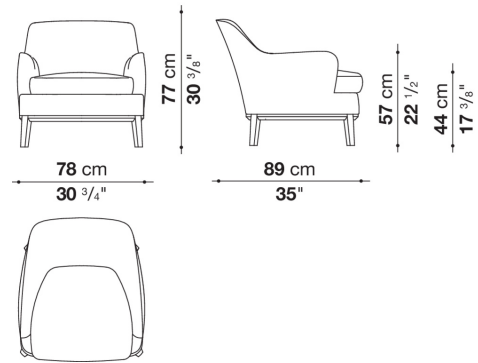
2801LT



2809LT



2837LT



2820LT

