

## Kalos

ARMCHAIRS

1997

Antonio Citterio



## Description

---

A modern interpretation of the more classic easy chair, Kalos comes both in leather and fabric upholstery. The latter can be stretched or formed by a slipcover hiding the feet or the revolving base. The footrest has two different heights. The feet are in solid wood available in several finishes.

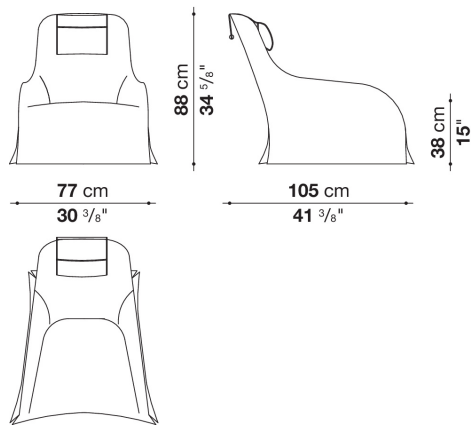
## Technical information

---

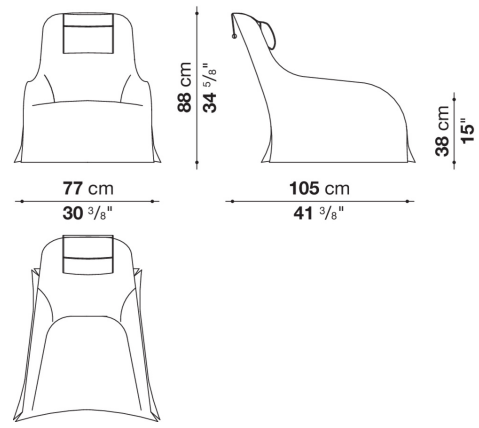
Internal frame  
tubular steel and steel profiles  
Internal frame (9765\_N)  
multi-layered wood panel  
Internal frame upholstery  
Bayfit® flexible cold shaped polyurethane foam, polyester fibre cover  
Internal frame upholstery (9765\_N)  
shaped polyurethane, polyester fibre cover  
Headrest upholstery (9750P\_N)  
polyester fibre, cotton cover, steel sheet counterweight  
Swivel base-frame (9750G\_N)  
steel laminate and aluminium extrusion  
Feet  
solid wood  
Ferrules  
thermoplastic material  
Cover (9750\_NV-9765\_N-9765A\_N)  
fabric or leather (envelope stitching)  
Cover (9750F\_N-9750G\_N-9765AF)  
fabric

# Technical drawings

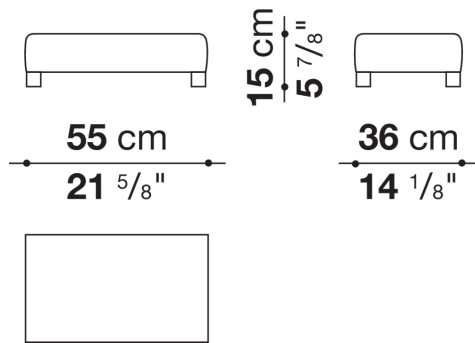
**9750G\_N**



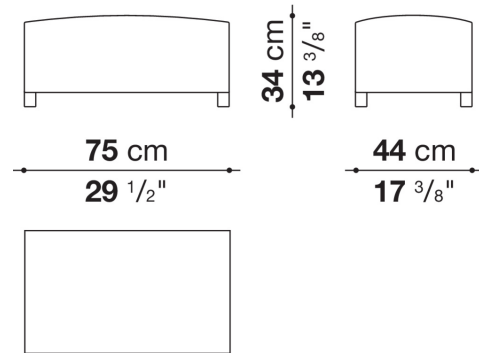
**9750F\_N**



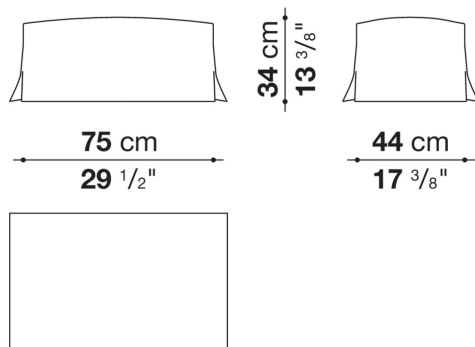
**9765\_N**



**9765A\_N**



**9765AF**



**9750\_NV**

