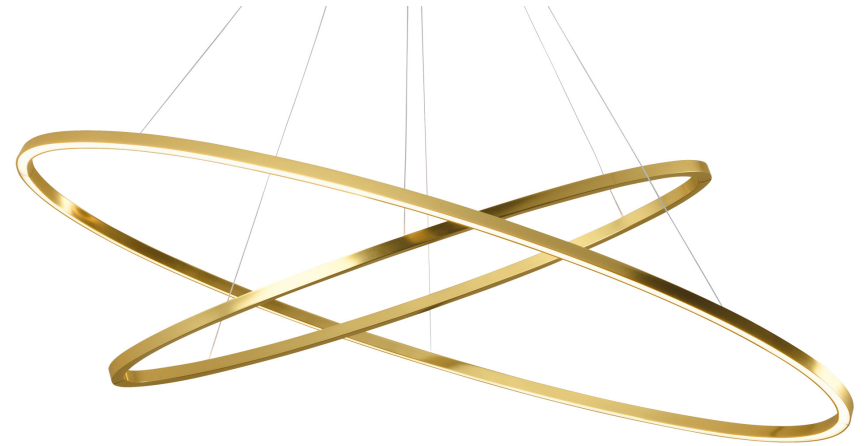


# ELLISSE PENDANT DOUBLE

*Federico Palazzari*

Realised in various versions through an innovative technology developed by Nemo for coupling extrusions, Ellisse guarantees diffused direct and indirect lighting with the LED housed within the structure while remaining unobtrusive. The design is linear and contemporary, while an elegant black marble base becomes a pedestal for the floor version.



2700K

## LAMPING

Source	linear LED
Total power	85W
Emission	diffused uplight (minor), diffused downlight (major)
Switching	dimmable 1-10V
Tension	110-240V
Color temperature	2700K
Luminous flux	2825+1850lm
Typ CRI	85
IP class	20
Materials	Aluminium
Notes	adjustable cable length from 2,5m to 0,4m, DALI version on request, TRIAC VERSION on request

## Codes

ELP LW2 56  
ELP LN2 56  
ELP LO2 56  
ELP LL2 56  
ELP LGW 56

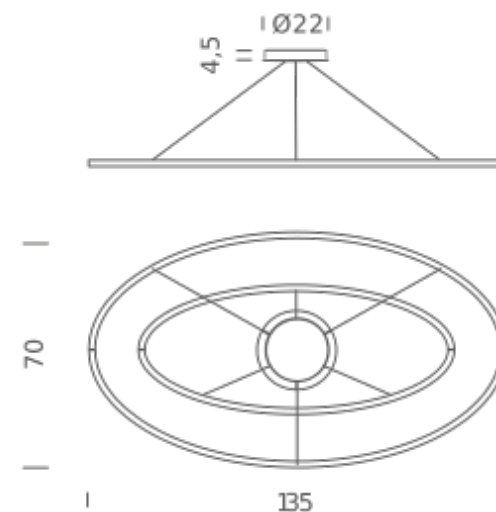
## Structure

white  
black  
gold painted  
polished aluminium  
gold polished anodized

## PACKAGE

Package 01 Dimension: 15x80x150 cm / Gross weight: 7,5 kg

## Certificazioni



3000K

## LAMPING

Source	linear LED
Total power	85W
Emission	diffused uplight (minor), diffused downlight (major)
Switching	dimmable 1-10V
Tension	110-240V
Color temperature	3000K
Luminous flux	2825+1850lm
Typ CRI	85
IP class	20
Materials	Aluminium
Notes	adjustable cable length from 2,5m to 0,4m, DALI version on request

## Codes

ELP LWW 56  
ELP LNW 56  
ELP LOW 56  
ELP LLW 56

## Structure

white  
black  
gold painted  
polished aluminium

## PACKAGE

Package 01 Dimension: 15x80x150 cm / Gross weight: 7,5 kg

## Certificazioni

