

# Dambodue

SOFAS

2024

Piero Lissoni



## Description

---

The Dambo sofa family expands with Dambodue, a new version with a particularly generous shape and richly upholstered back and armrests. The seat is direct and rests on the floor, emphasised at the base by a bronzed nickel painted profile that gives it a particularly strong character. While presenting linear geometries, the design has been carefully studied to ensure comfort and functionality. In fact, Dambodue proves to be surprisingly comfortable and cosy, while maintaining a seat with limited depth. The range includes the linear sofa in two- and three-seater versions and a variety of elements to create different types of compositions.

## Technical information

---

**Internal frame**

tubular steel and steel profiles

**Internal frame upholstery**

flexible cold shaped polyurethane foam, polyester fibre cover

**Back cushion (DU55\_C)**

polyester fibre

**Corner**

die-cast aluminium

**Lower edge**

aluminium extrusions

**Ferrules**

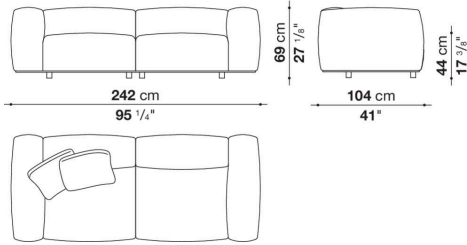
plastic material

**Cover**

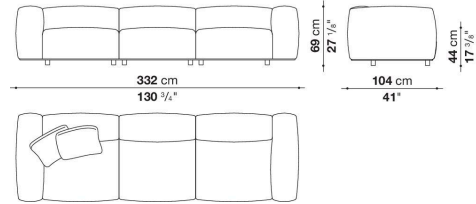
fabric or leather

# Technical drawings

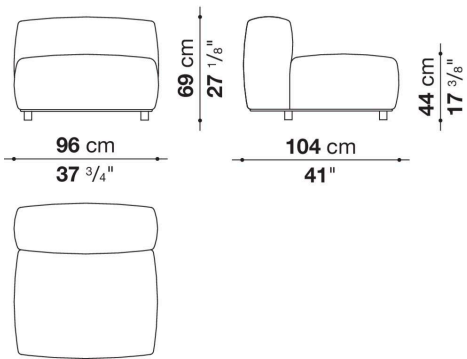
**DU242**



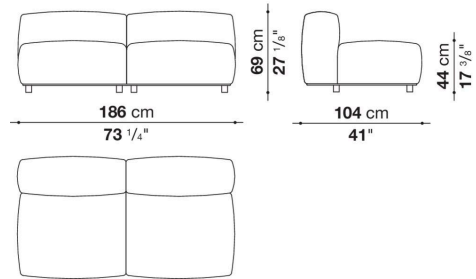
**DU332**



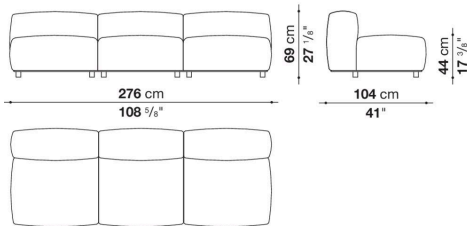
**DU96C**



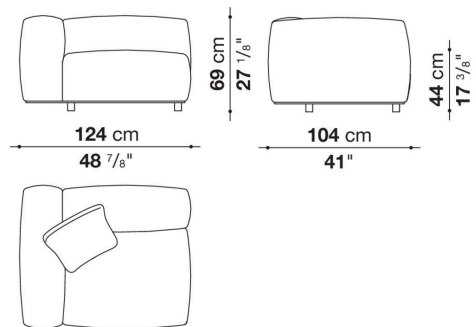
**DU186C**



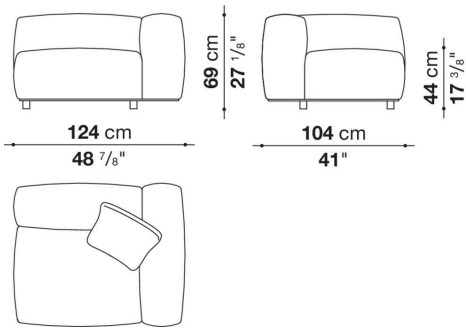
**DU276C**



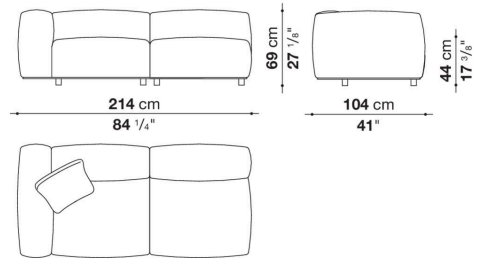
**DU124TS**



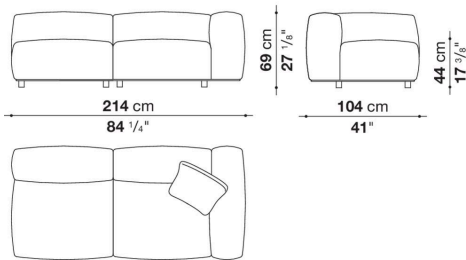
**DU124TD**



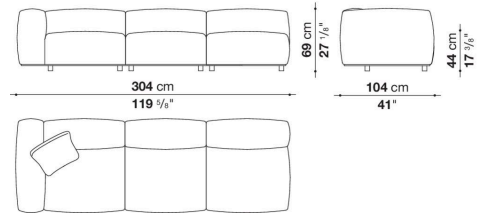
**DU214TS**



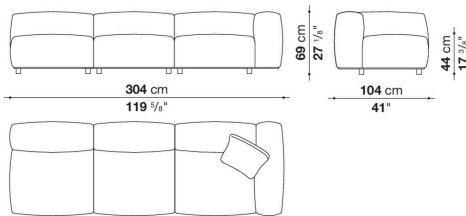
**DU214TD**



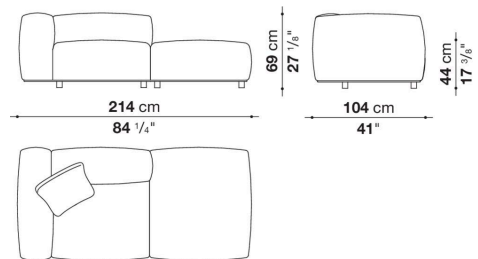
**DU304TS**



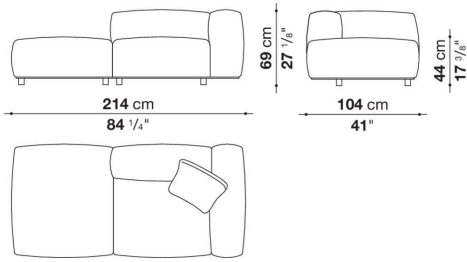
**DU304TD**



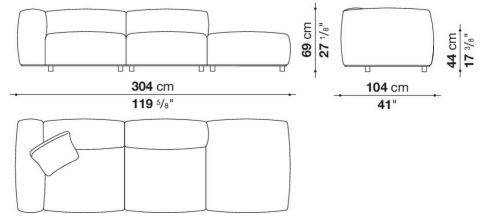
**DU214TPS**



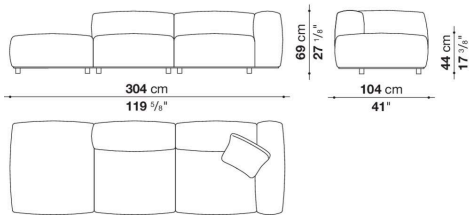
**DU214TPD**



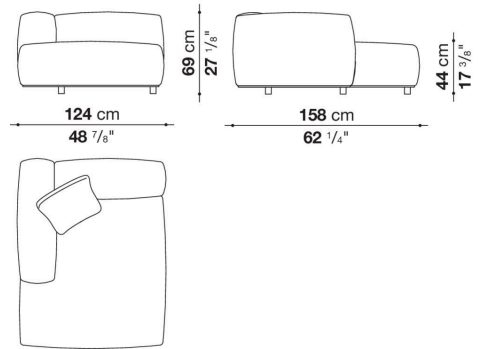
**DU304TPS**



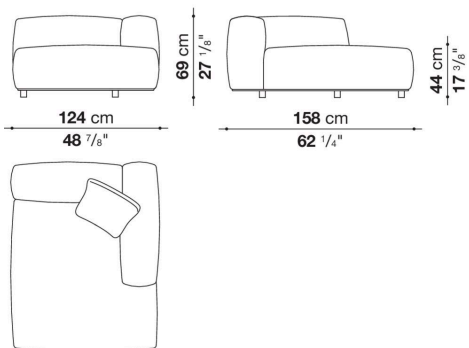
**DU304TPD**



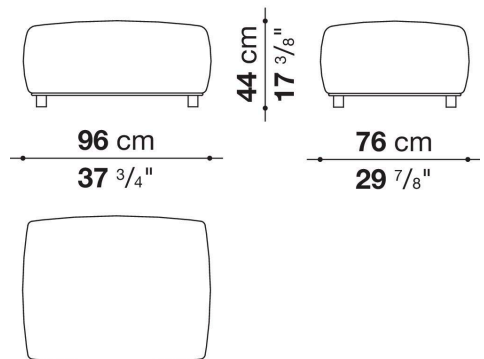
**DU158LS**



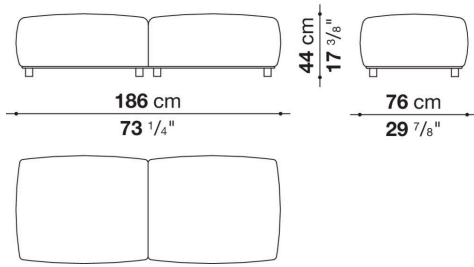
**DU158LD**



**DU96P**



**DU186P**



**DU276P**

