

# SHANGHAI

Davide Groppi / 2013



The smallest possible shape.  
A suspended luminous segment.  
Beautiful by itself or in composition.  
Suitable for working area or kitchen.

Luminaire designed also to be powered by ENDLESS conductive tape.

La forma minima possibile.  
Un segmento luminoso sospeso.  
Bellissima da sola o in composizione.  
Per i luoghi di lavoro o per la cucina.

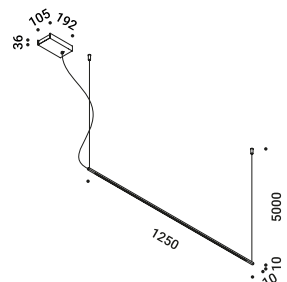
Apparecchio illuminante alimentabile anche con il tape conduttivo ENDLESS.

Suspension / Direct / Indoor

<b>Material</b>	Metal - Methacrylate
<b>Finish</b>	.03 Matt White .08 Brushed Brass

**Note** Suspension luminaire. Matt white rose. AISI 304 stainless steel suspension cables. Transparent cable. SHANGHAI 2: version with power cable only and without rose. Possibility for the luminaire to be powered by ENDLESS conductive tape and by dedicated voltage/current (Max 48V DC - Max 150W - Max 4A).

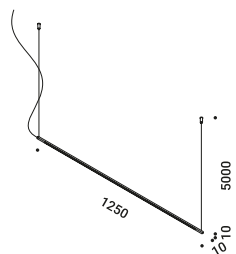
*Apparecchio illuminante a sospensione. Rosone bianco opaco. Cavi di sospensione in inox AISI 304. Cavo trasparente. SHANGHAI 2: versione con solo il cavo di alimentazione e senza rosone. Alimentabile anche con il tape conduttivo ENDLESS e tensione/corrente dedicata (Max 48V DC - Max 150W - Max 4A).*

**SHANGHAI 1**

Ceiling driver version  
15,5W  
110-240V - 50/60Hz  
2700K - 592lm / 3000K - 619lm  
CRI >90  
Driver integrated  
PUSH  
CE IP20

Matt White - 2700K - PUSH  
Matt White - 3000K - PUSH  
Brushed Brass - 2700K - PUSH  
Brushed Brass - 3000K - PUSH

1A3260300.27.04  
1A3260300.30.04  
1A3260800.27.04  
1A3260800.30.04

**SHANGHAI 2**

Remote driver version  
13W  
24V DC  
2700K - 592lm / 3000K - 619lm  
CRI >90  
Driver not included  
CE IP20 TE

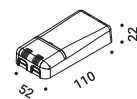
Matt White - 2700K  
Matt White - 3000K  
Brushed Brass - 2700K  
Brushed Brass - 3000K

1A3260300.27.20  
1A3260300.30.20  
1A3260800.27.20  
1A3260800.30.20

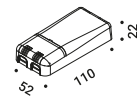
The sizes are expressed in millimeters.

**Compulsory accessories / Accessori obbligatori**

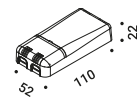
Drivers / Alimentatori



<b>Driver / Alimentatore</b>				Not included
220-240V(100-127V)	24V/16W(15W)/IP20/DALI	SHANGHAI 2	1Z0241180.24	



<b>Driver / Alimentatore</b>				Not included
220-240V(100-127V)	24V/20W(15W)/IP20/PUSH - 1-10V	SHANGHAI 2	1Z0240870.24	



<b>Driver / Alimentatore</b>				Not included
220-240V	24V/20W/IP20/TRIAC/IGBT	SHANGHAI 2	1Z0240850.24	

**Optional accessories / Accessori opzionali**

Suspension kits / Kit di sospensione



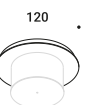
<b>Sloped ceiling suspension hook / Gancio di sospensione per soffitto inclinato</b>				Not included
	Chrome plated - 1 Piece		1A0530000.00.00	



<b>Recessed suspension kit for 12,5 mm plasterboard / Kit di sospensione da incasso per cartongesso 12,5 mm</b>				Not included
Matt White	For suspension cables - 1 Piece Plasterboard cut-out Ø 44 mm Minimum space for mounting 70 mm		1X0000300.01.00	
Matt Black	For suspension cables - 1 Piece Plasterboard cut-out Ø 44 mm Minimum space for mounting 70 mm		1X0000400.01.00	
Matt White	For electrical cables - 1 Piece Plasterboard cut-out Ø 44 mm Minimum space for mounting 70 mm	SHANGHAI 2	1X0000300.04.00	
Matt Black	For electrical cables - 1 Piece Plasterboard cut-out Ø 44 mm Minimum space for mounting 70 mm	SHANGHAI 2	1X0000400.04.00	



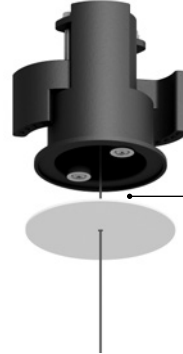
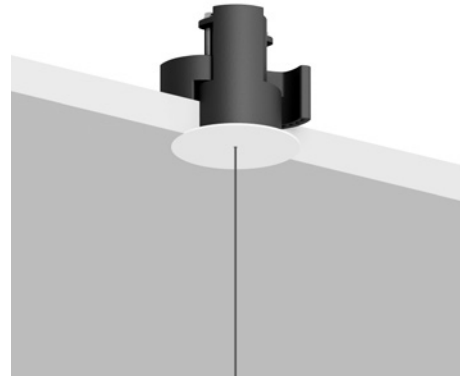
<b>Ceiling suspension kit / Kit di sospensione da soffitto</b>				Not included
Matt White	For suspension cables - 1 Piece		1X0010300.01.00	
Matt Black	For suspension cables - 1 Piece		1X0010400.01.00	
Matt White	For electrical cables - 1 Piece	SHANGHAI 2	1X0010300.04.00	
Matt Black	For electrical cables - 1 Piece	SHANGHAI 2	1X0010400.04.00	



<b>Wall adapter plate / Piastra di adattamento da parete</b>				Not included
Matt White	For mounting on brick masonry walls		1X0050300.01.00	

## SUSPENSION KITS / KIT DI SOSPENSIONE

Recessed suspension kit / Kit di sospensione da incasso



Suspension kit for 12,5 mm plasterboard  
Plasterboard cut-out Ø 44 mm  
Minimum space for mounting 70 mm

Kit di sospensione per cartongesso 12,5 mm  
Dimensioni taglio cartongesso Ø 44 mm  
Spazio minimo per incasso 70 mm

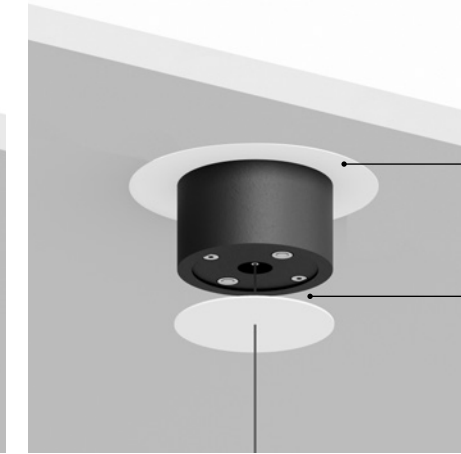
Magnetic fixing  
Fissaggio magnetico



Version	Use	Product reference	Finish	Code
Recessed suspension kit 01	For suspension cables	SHANGHAI 1	Matt White	1X0000300.01.00
		SHANGHAI 2 SOTTILE 1 SOTTILE 1 DE SOTTILE 2 SOTTILE 2 DE	Matt Black	1X0000400.01.00
Recessed suspension kit 02	For electrical cables	MAGIA	Matt White	1X0000300.02.00
			Matt Black	1X0000400.02.00
Recessed suspension kit 03	For suspension cables	MASAI 1	Matt White	1X0000300.03.00
		MASAI 2 REFLEX S 1 REFLEX S 2 SPY	Matt Black	1X0000400.03.00
Recessed suspension kit 04	For electrical cables	ASINTOTO	Matt White	1X0000300.04.00
		REFLEX S 2 SHANGHAI 2 SOTTILE 2 SOTTILE 2 DE	Matt Black	1X0000400.04.00
Recessed suspension kit 05	For electrical cables	LOUIS XIV 2	Matt White	1X0000300.05.00
		SOTTOSOPRA 2	Matt Black	1X0000400.05.00
Recessed suspension kit 06	For electrical cables	CATHODE 2	Matt White	1X0000300.06.00
		LED IS MORE 2 MISS 2	Matt Black	1X0000400.06.00

## SUSPENSION KITS / KIT DI SOSPENSIONE

Ceiling suspension kit / Kit di sospensione da soffitto



Back plate for masonry ceilings  
Back plate per soffitti in muratura

Magnetic fixing  
Fissaggio magnetico



Version	Use	Product reference	Finish	Code
Ceiling suspension kit 01	For suspension cables	SHANGHAI 1	Matt White	1X0010300.01.00
		SHANGHAI 2 SOTTILE 1 SOTTILE 1 DE SOTTILE 2 SOTTILE 2 DE	Matt Black	1X0010400.01.00
Ceiling suspension kit 02	For electrical cables	MAGIA	Matt White	1X0010300.02.00
			Matt Black	1X0010400.02.00
Ceiling suspension kit 03	For suspension cables	MASAI 1	Matt White	1X0010300.03.00
		MASAI 2 REFLEX S 1 REFLEX S 2 SPY	Matt Black	1X0010400.03.00
Ceiling suspension kit 04	For electrical cables	ASINTOTO	Matt White	1X0010300.04.00
		REFLEX S 2 SHANGHAI 2 SOTTILE 2 SOTTILE 2 DE	Matt Black	1X0010400.04.00
Ceiling suspension kit 06	For electrical cables	CATHODE 2	Matt White	1X0010300.06.00
		LED IS MORE 2 MISS 2	Matt Black	1X0010400.06.00
Back plate	For masonry ceilings		Matt White	1X0050300.01.00

