

Saari S

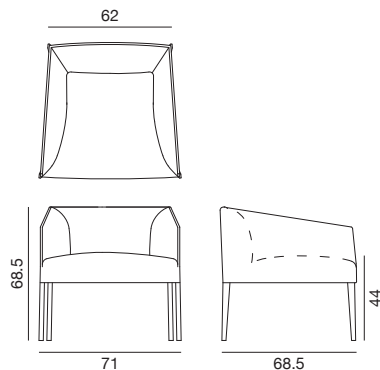
Design by Lievore Altherr Molina, 2009

Art. 2710

Armchair (71 cm wide seat) with polished or powder-coated four-leg steel base, or with oak effect reconstituted veneer base. Upholstered shell with metal and plywood frame available in leather, coated fabric, fabric or customer's material. Fully removable cover version available upon request without surcharge.

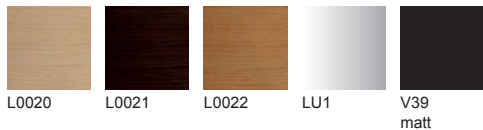


Dimensions *



* File CAD 2D - 3D available for download at www.arper.com

Frame Base



arper

www.arper.com

info@arper.com

Saari S

Design by Lievore Altherr Molina, 2009


Accessories:

Replacement cover set Art.
2715

USB Art. 6001

SHIPMENT DETAILS

Art.2710

1 pz = 1  - kg 25/ m³ 0,666

TECHNICAL SPECIFICATIONS

Art.2710

COL requirement m² 4.51

H 140 cm. COM Meterage m 2.75

FIRE RETARDANT TEST

FIRE RETARDANT TEST

arper

www.arper.com
info@arper.com

www.arper.com

Saari M

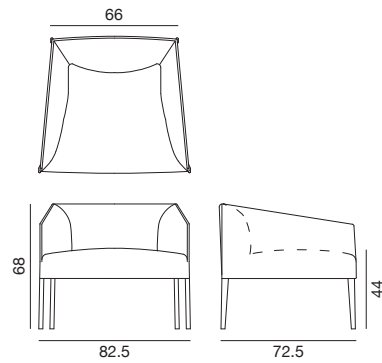
Design by Lievore Altherr Molina, 2009

Art. 2711

Armchair (82.5 cm wide seat) with polished or powder-coated four-leg steel base, or with oak effect reconstituted veneer four-leg base. Upholstered shell with metal and plywood frame available in leather, coated fabric, fabric or customer's material. Fully removable cover version available upon request without surcharge.

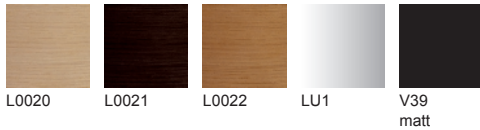


Dimensions *



* File CAD 2D - 3D available for download at www.arper.com

Frame Base



arper

www.arper.com

info@arper.com

Saari M

Design by Lievore Altherr Molina, 2009


Accessories:

Replacement cover set Art.
2716

USB Art. 6001

SHIPMENT DETAILS

Art.2711

1 pz = 1  - kg 19/ m³ 0,671

TECHNICAL SPECIFICATIONS

Art.2711

COL requirement m² 5.29

H 140 cm. COM Meterage m 3.14

FIRE RETARDANT TEST

FIRE RETARDANT TEST

arper

www.arper.com
info@arper.com